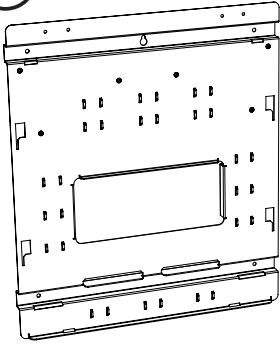


## **Standard 4 zone enclosure Mk2**

4 zone standard enclosure to house 2 NetAmps,  
1 NetServer / Mini NetServer, 1 NetPower  
Amplifier and up to 2 10 Port USB Hubs

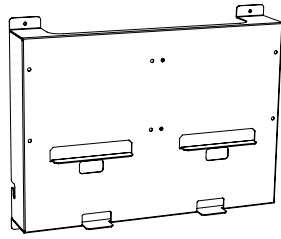
## Pack contents

A



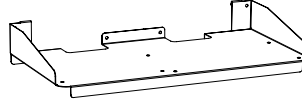
Wall panel x 1

B



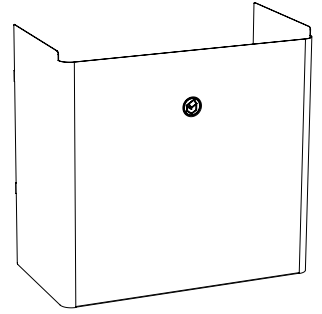
Mounting box x 1

C



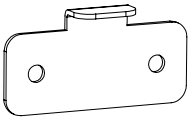
Shelf x 1

D



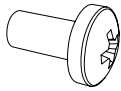
Cover x 1

E



Extension hooks x 2

F



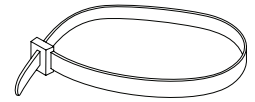
Screws (M4x10mm Poz) x 26

G



Screws (M3x6mm Poz) x 8

H

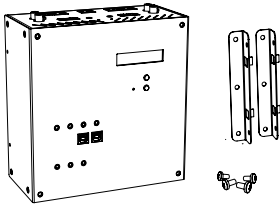


Cable ties x 20

---

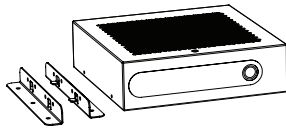
## Supplied separately

I



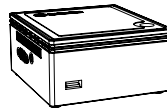
NetAmp  
(each unit includes  
2 brackets & 4 screws)

J



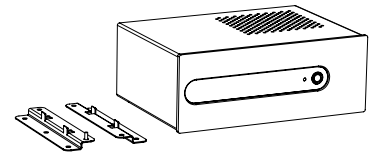
NetServer  
(each unit includes  
2 brackets & 4 screws)

K



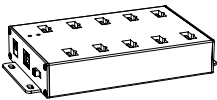
Mini NetServer

L



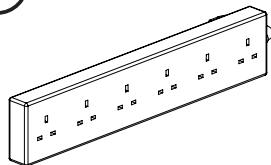
NetPower  
(each unit includes  
2 brackets & 4 screws)

M



10 port USB hub

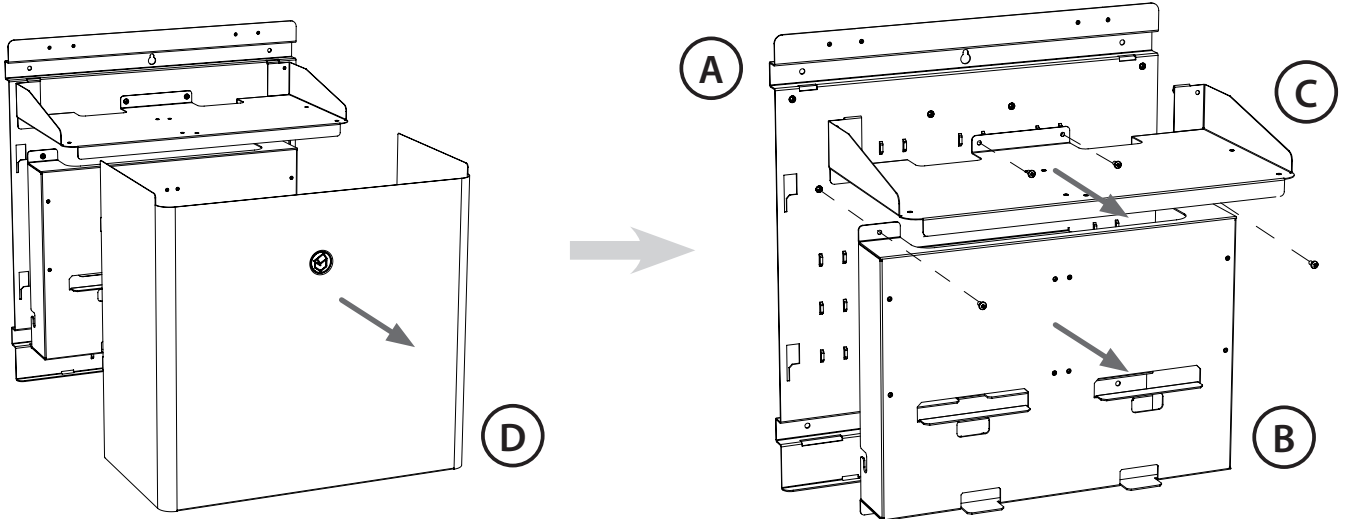
N



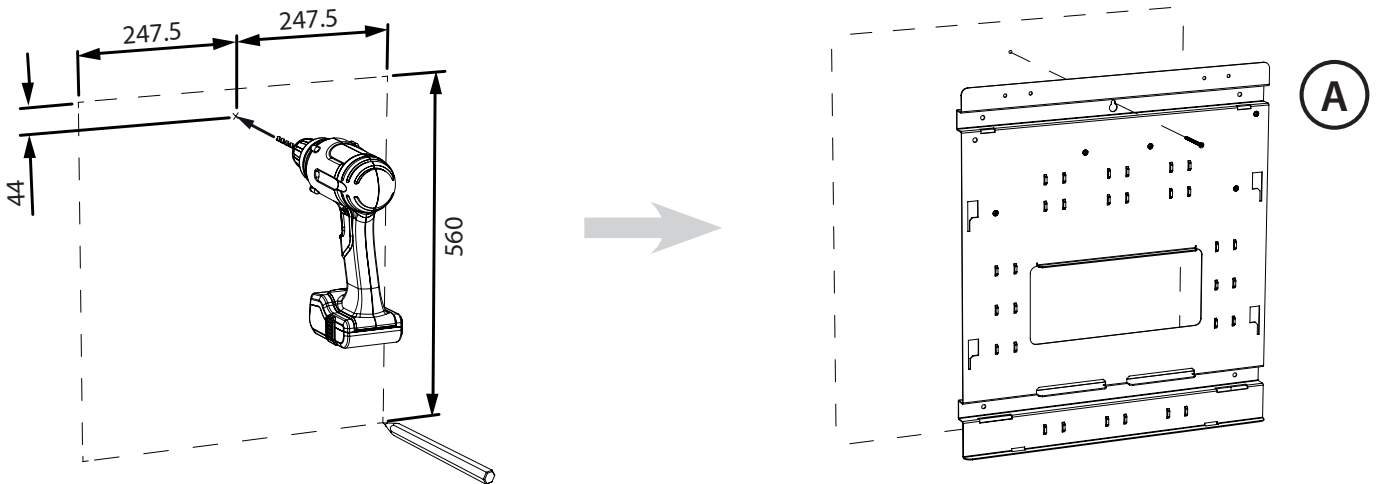
6 way mains extension

## Installation instructions

1. Lift and pull cover to remove. Detach shelf and cable box from wall panel by unscrewing 2 shelf screws and 2 mounting box screws.

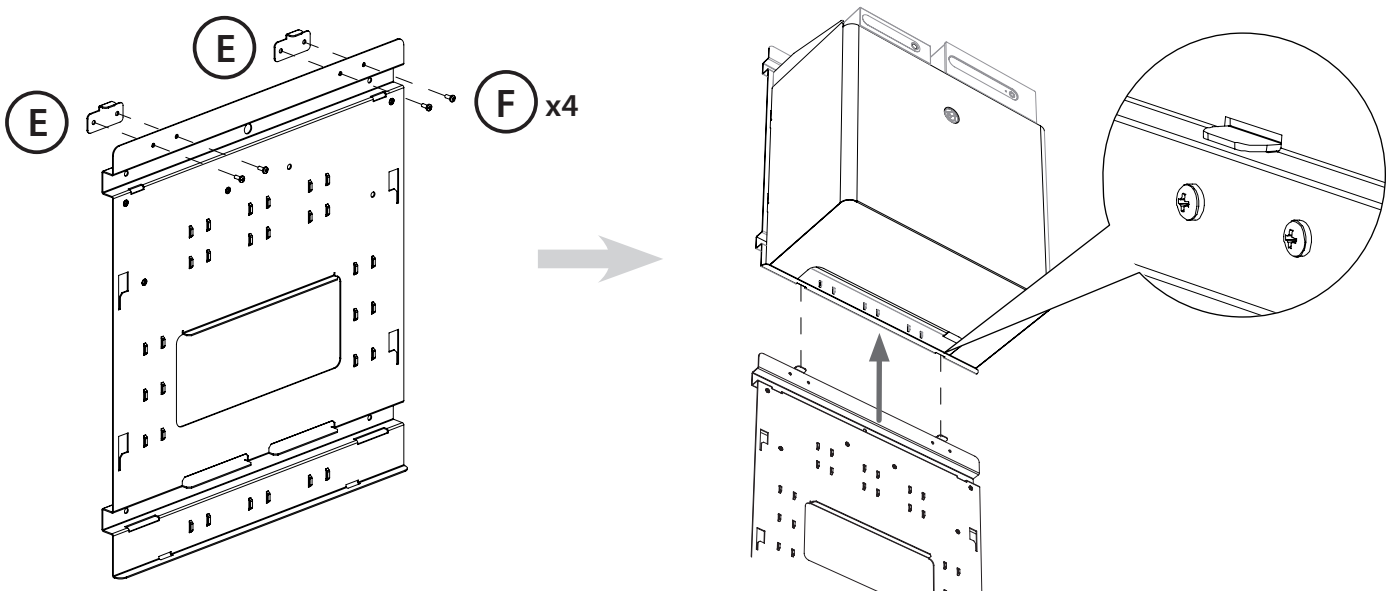


**2A - Individual cabinet.** Check available space\* and mark position of centre hole. Drill centre hole for your wall fixing\*\*. Insert wall fixing and hang wall panel from it. Mark position of 4 main mounting holes. Proceed to step 3.

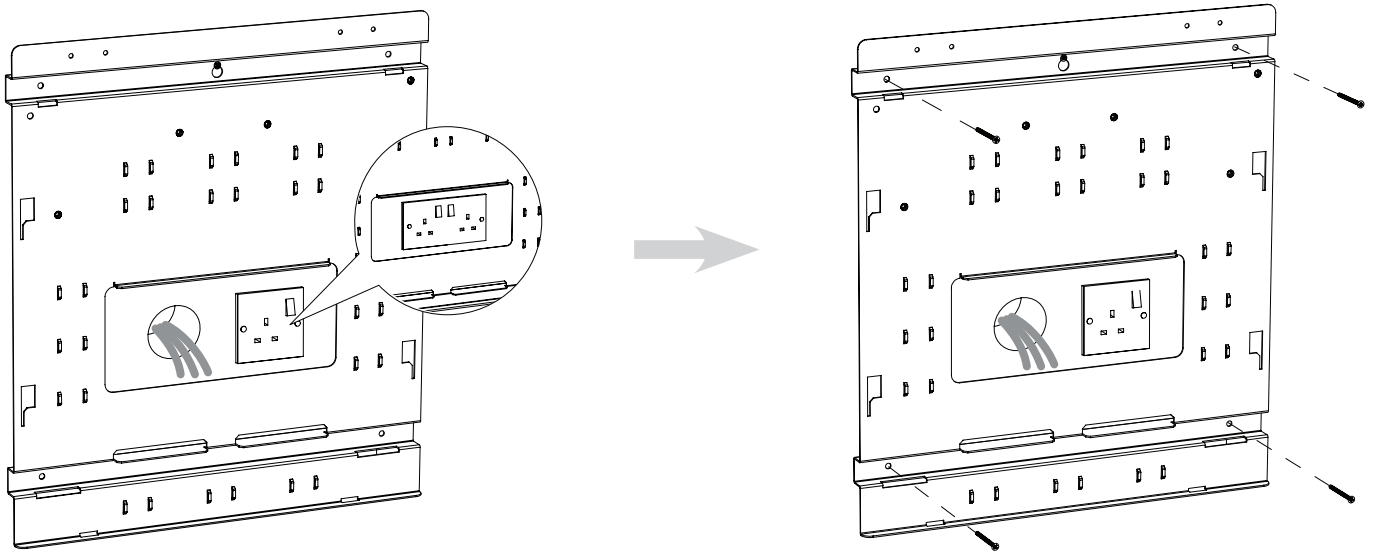


\*All dimensions in mm  
\*\*Wall fixings not supplied

**2B - Additional cabinets.** Fit 2 extension hooks onto new wall panel using 4 M4x10 screws provided. Hang wall panel beneath existing cabinet using 2 hooks for alignment. Proceed to step 3.

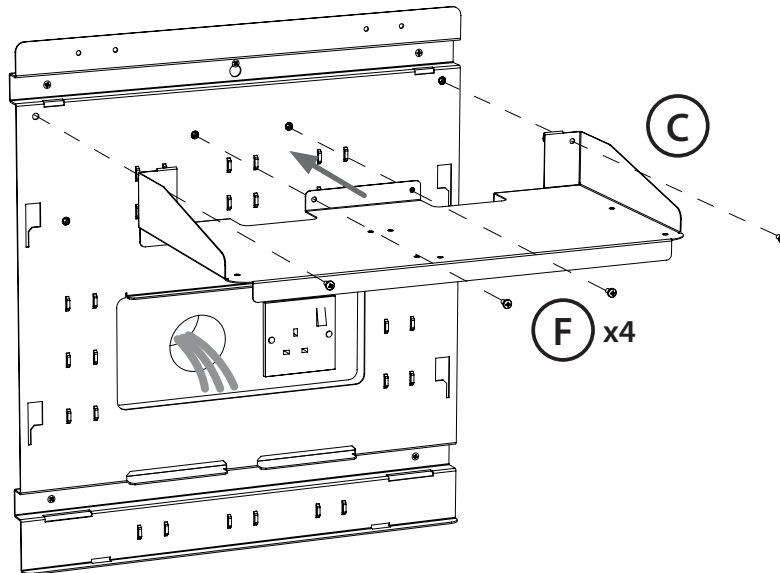


3. A cut-out is provided in the wall panel for a single/double gang mains socket and/or cable entry. Fit mains socket and drill required cable entry holes through wall. Secure wall panel to wall using 4 wall fixings\*\*.

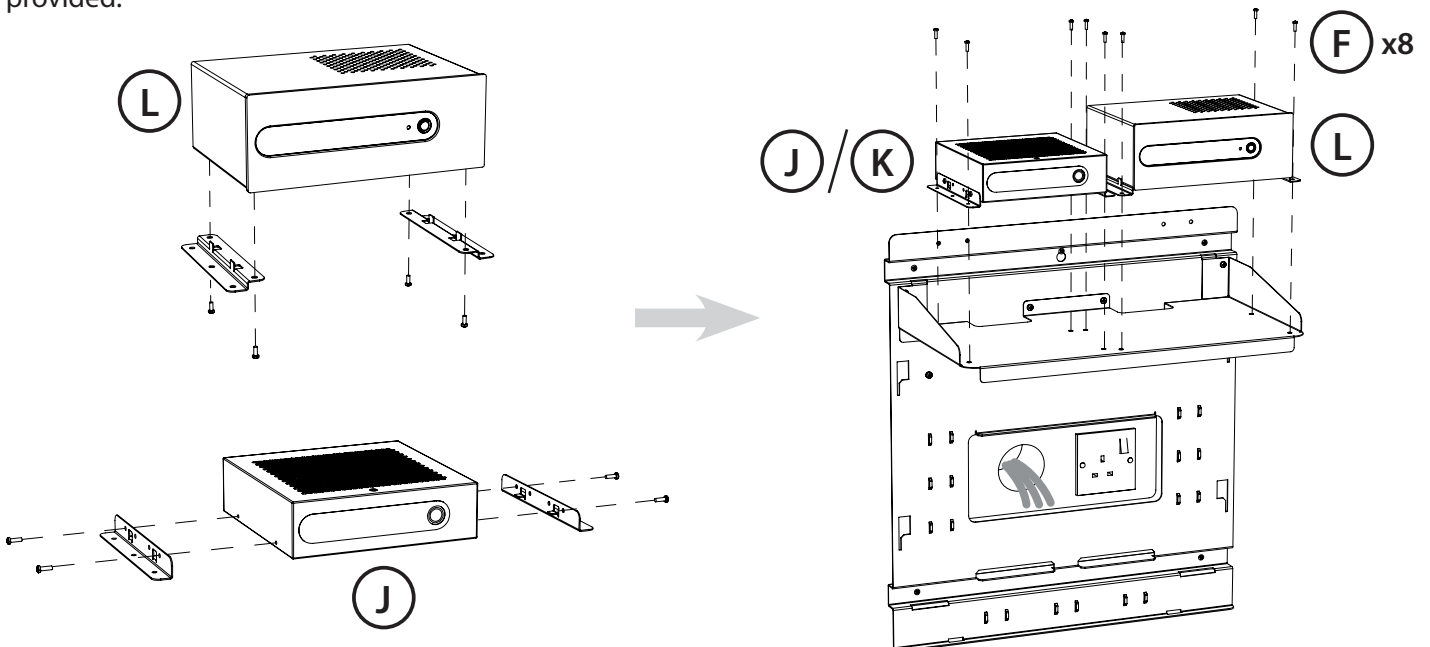


\*\*Wall fixings not supplied

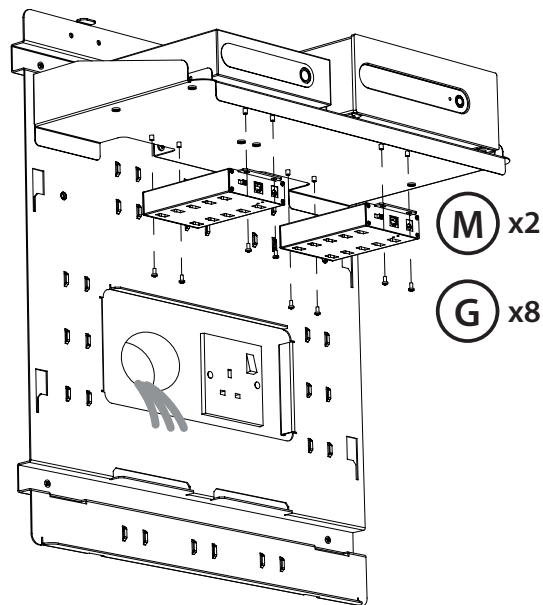
4. Hang shelf from wall panel using 2 tabs at rear of shelf and fix in place using 4 M4x10 screws provided.



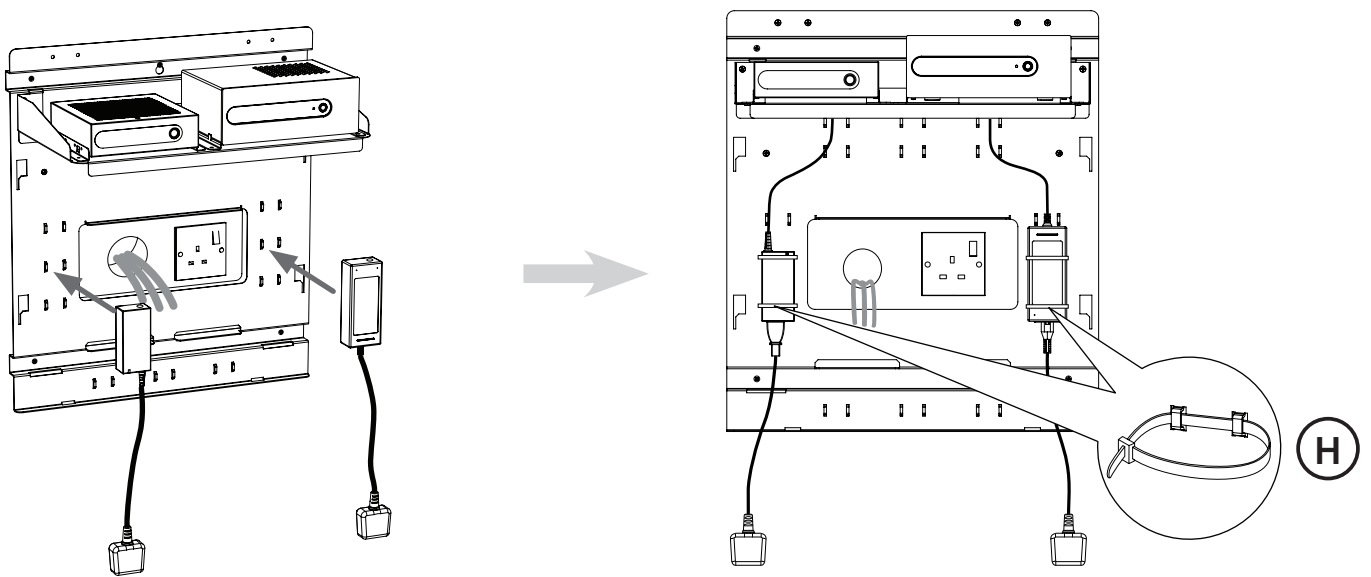
5. Fit mounting brackets to NetPower and NetServer. Place each item onto shelf and secure using 8 M4x10 screws provided.



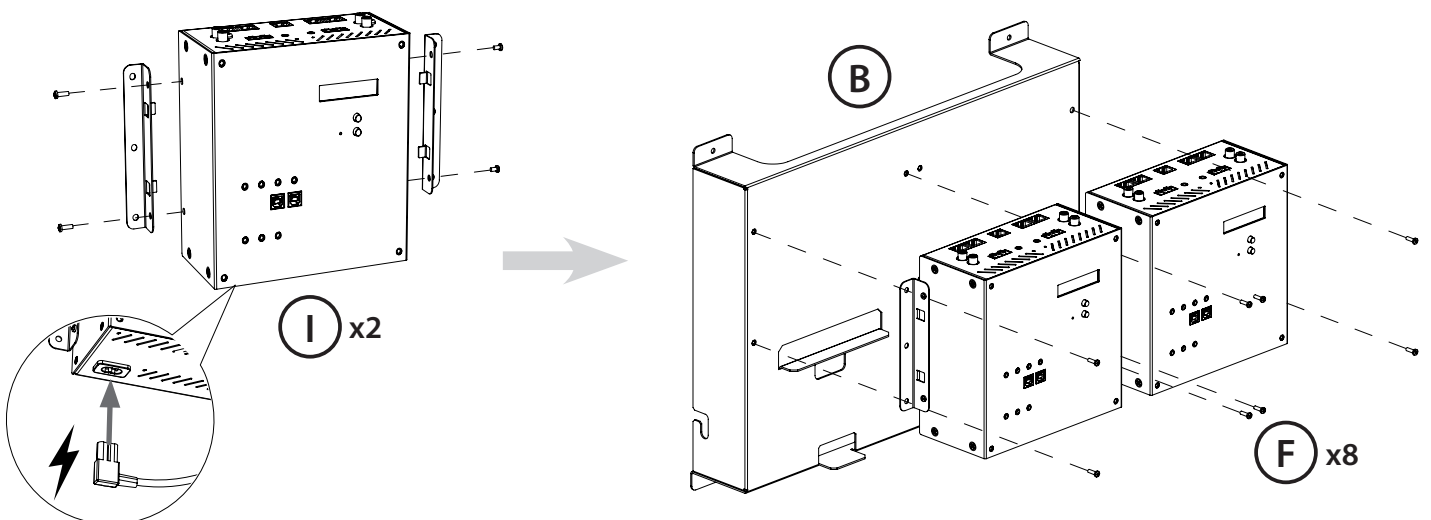
6. Secure up to 2 USB hubs to underside of shelf using 4 M3x6 screws supplied for each hub.



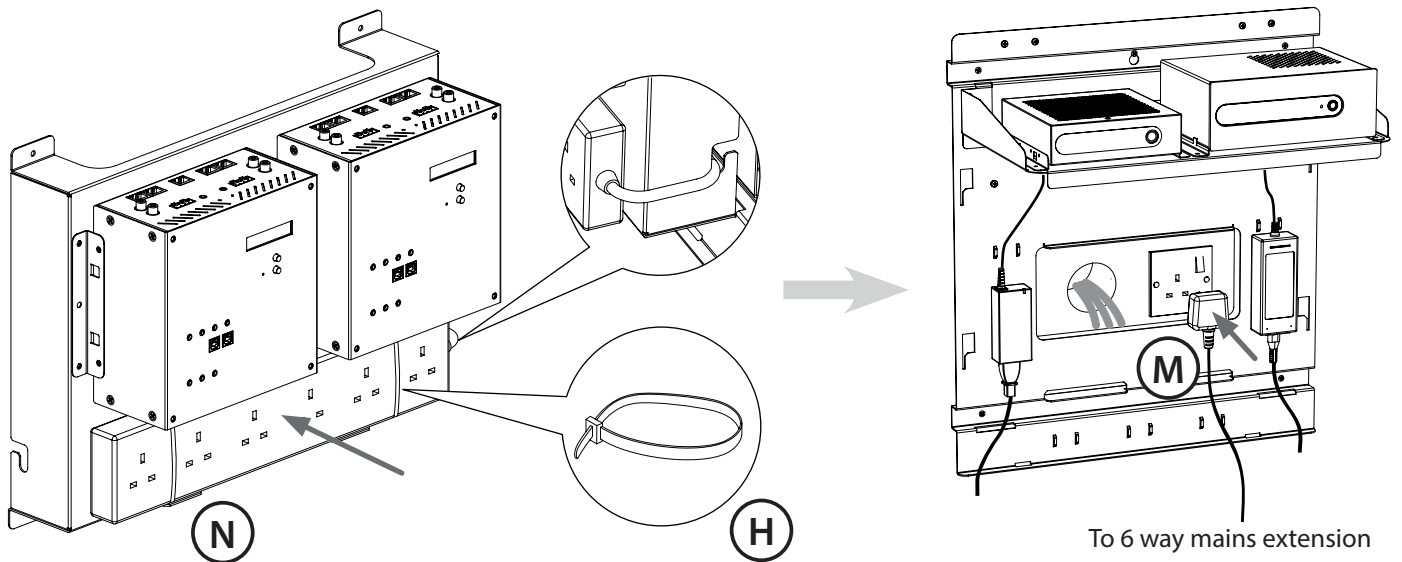
7. Fit power supplies for NetServer / Mini NetServer / USB hubs onto wall panel either side of cable entry cut-out. Secure PSUs using cable ties in the mounting positions provided and connect cables.



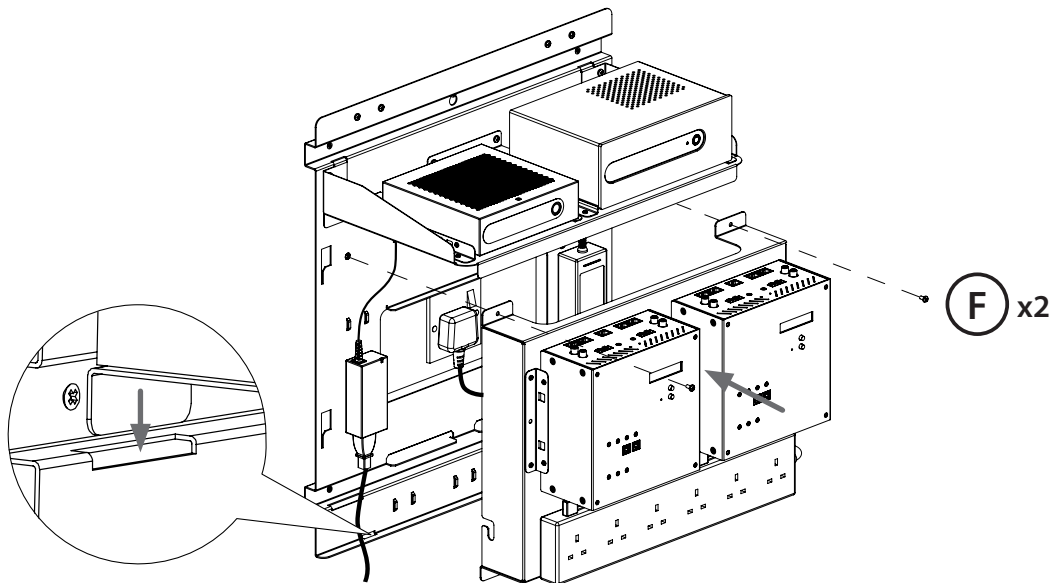
8. Fit mounting brackets to both NetAmps. Fix each NetAmp to mounting box using 4 M4x10 screws provided. Feed NetAmp mains leads through from rear of mounting box using holes provided and plug into NetAmps.



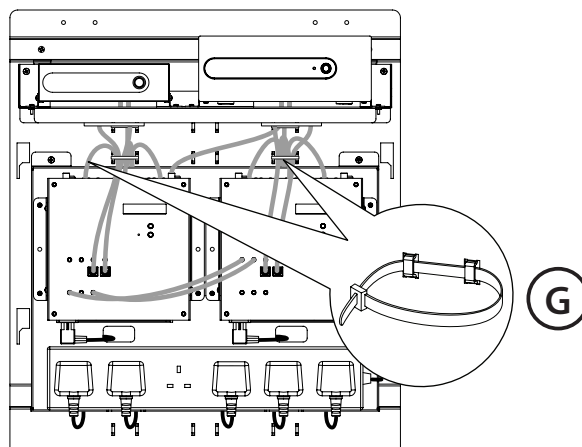
9. Secure 6 way mains extension onto mounting box using cable ties. Mains extension should rest on tabs provided for extra security. Plug 6 way power socket into wall socket before screwing mounting box into place.



10. Sit mounting box onto wall panel using 2 lower tabs on mounting box. Fix to wall panel using 2 M4x10 screws provided.

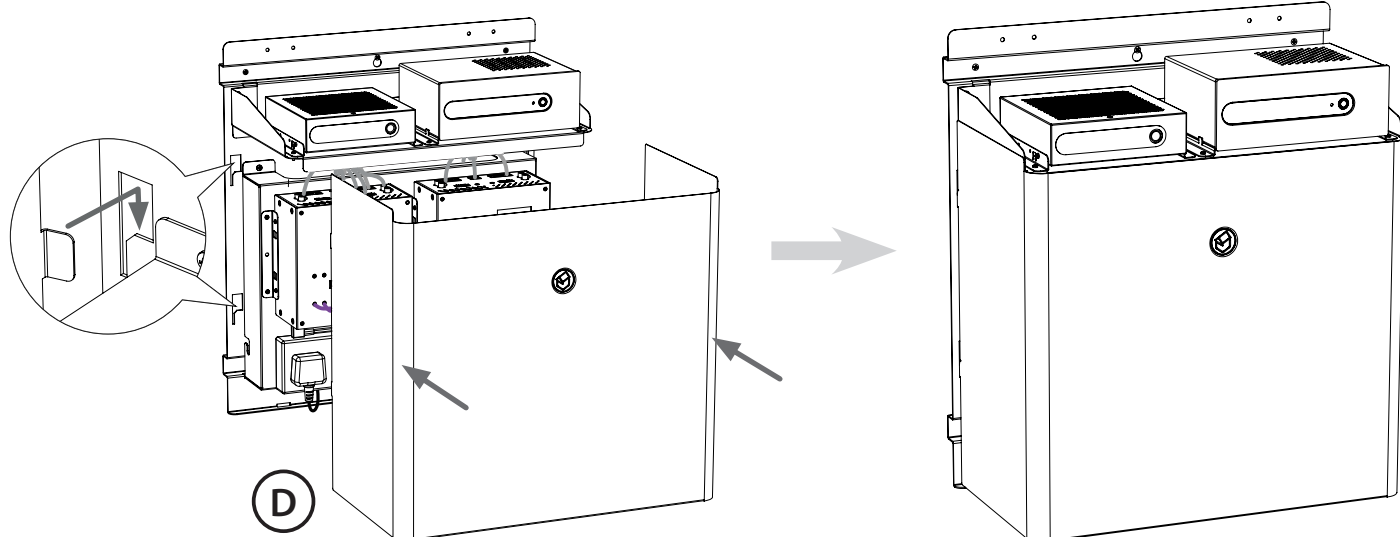


11. Plug all mains plugs into 6 way mains extension and connect cables between products\* as required. Use cable ties in mounting positions provided to keep cables tidy after installation.



\*See manual supplied with each product for connection details

12. Fit cover by pushing 4 fixing tabs through 4 cut-outs in wall panel. Push cover firmly on both front edges to engage all 4 fixing tabs and slide downwards to secure in place.





**armourHOME**

Stortford Hall Industrial Park  
Dunmow Road  
Bishops Stortford  
Hertfordshire  
CM23 5GZ  
United Kingdom

[www.armourhome.co.uk](http://www.armourhome.co.uk)

©2016 Armour Home Electronics, All rights reserved.  
Our policy is one of continuous product improvement. We reserve the right  
to change the design and specifications without notice.  
All information is given in good faith. The manufacturer accepts no  
responsibility for errors, omissions or incorrect assumptions.

Q15463-IS\_r3