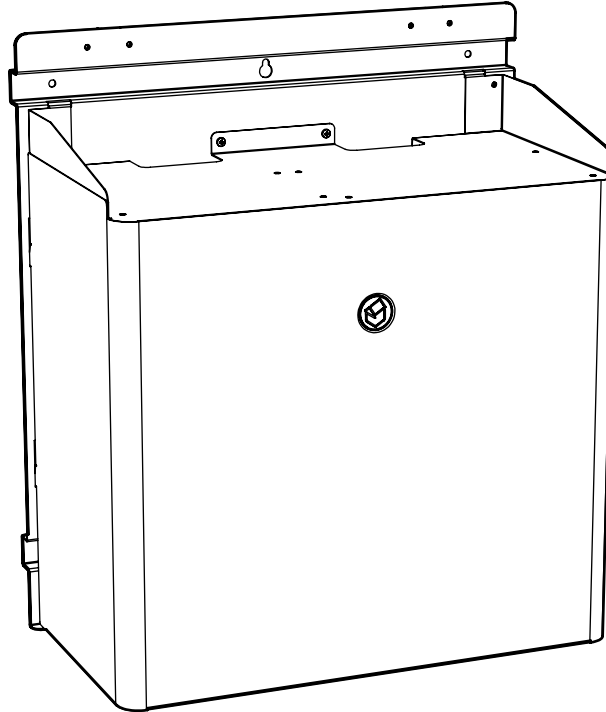


Specification Data Sheet

Rev 1.0 March 2016

Armour Home Electronics R&amp;D Department



The S7 standard enclosure is a compact, cost effective, professional enclosure for a finished S7 system supporting up to 4 zones. It has been designed with ease of installation in mind, but with some key installation details such as rear stud wall cable and power entry, internal cable tie positions, PSU mounting points and 6 way mains extension mounting point. The cabinet comes complete with fixing screws for 2 NetAmps, 1 NetPower and 1 NetServer plus 20 cable ties.

#### Manufacturing

Construction	Mild steel
Finish	Black Paint

#### Equipment capacity\*

NetAmps	2
NetServer/Mini NetServer	1
NetPower	1
6 Way Mains Extension*	1
10 Way USB Hub*	1
Ethernet Hub*	1

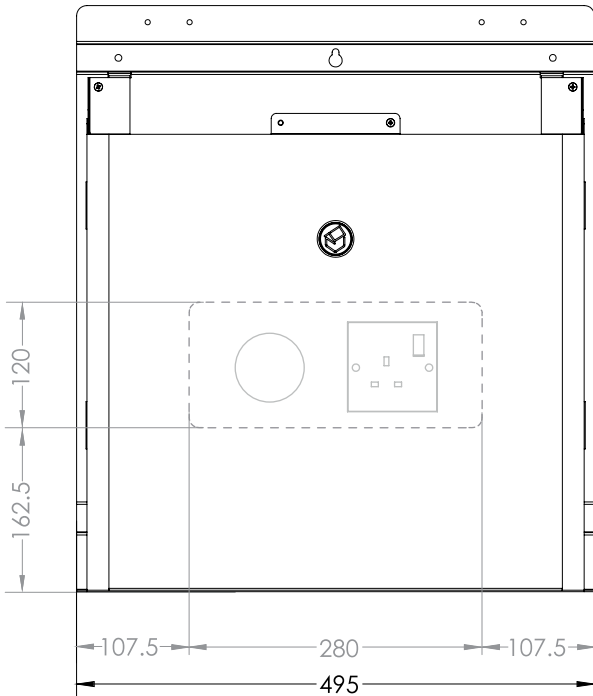
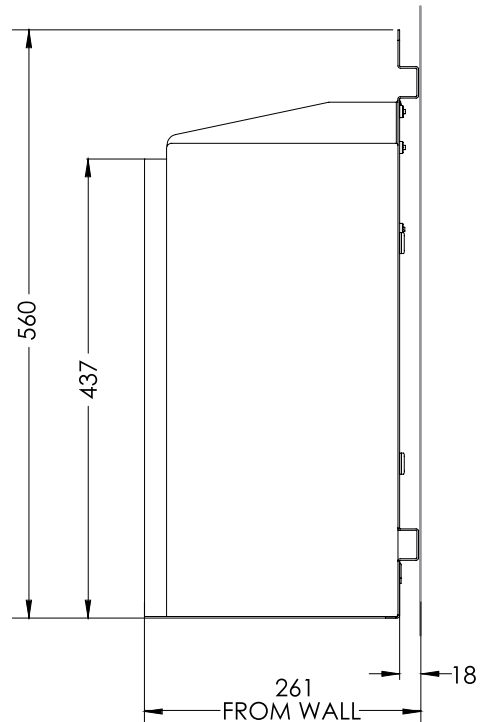
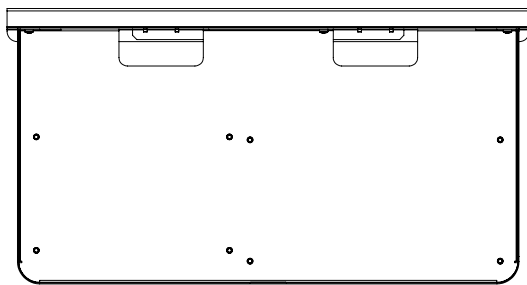
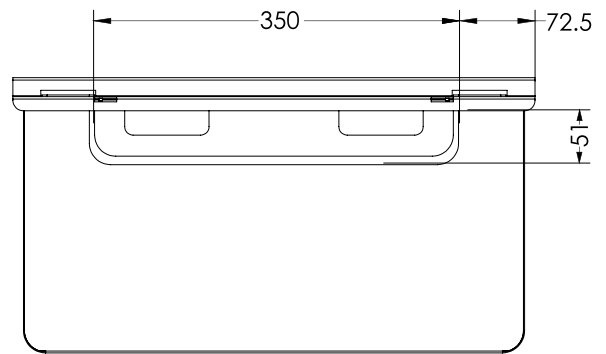
#### Cable entry / mains socket provisions

Side	18mm gap between wall panel and wall
Back	280mm x 120mm cut out in wall panel
Bottom	350mm x 51mm cut-out in underside of cover

#### General

Dimensions	Height: 560mm, Width: 495mm, Depth 261mm
Net Weight	10kg

\*Supplied separately

**FRONT**

**SIDE**

**TOP**

**BOTTOM**


\*All measurements in mm