



Systemline 7 USB Over Cat5 guide

Rev 1.0

24th November 2014

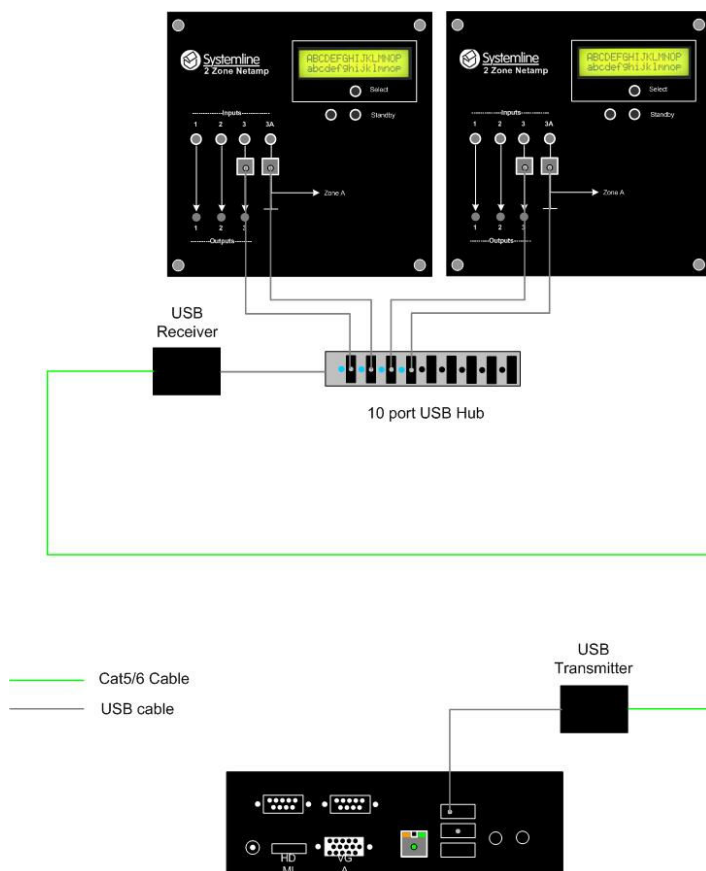
1.0 Introduction

Systemline 7 has been designed as a centralised multi-room home entertainment system, best designed when the Netserver and all Netamps are in the same physical location. Each zone requires a USB connection from the NetServer, usually achieved using the 10 port USB Hubs. Centralising all equipment is the recommended method to plan and install S7.

If you need to locate Netamps in a separate location, then you must extend the USB connection from the server using a USB over Cat5/6 extender. Systemline have tested some devices at different price points, the units listed are the only ones that can be recommended as some tested did not perform to satisfaction.

2.0 Wiring and connecting USB over Cat5/6 converter

The transmitter should plug directly into the NetServer USB port, never via a hub. Use only good quality Cat5 or Cat6 cable, terminated with RJ45 plug, avoiding patch panels and patch leads. Use a hub at the receiver to connect multiple Netamp zones.



3.0 Tested USB Cat5/6 systems

Use only the tested system below, and keep within each limitation of cable length and number of supported zones.

3.1 LogiLink UA0021D 50m USB 1.0

<http://www.logilink.com/showproduct/UA0021D.htm?seticlanguage=en>

Limitations:

Only use a maximum of 50m cable between the transmitter and receiver

This system only supports 4 Netamp zones connected to one system

Availability:

ebay via ABAN CCTV Accessories

http://www.ebay.co.uk/itm/USB-Extender-Kit-Send-USB-Over-Lan-Cable-CAT5E/111349414533?_trksid=p2045573.c100033.m2042&_trkparms=aid%3D111001%26algo%3DREC.SEED%26ao%3D1%26asc%3D20131017132637%26meid%3D7844683919828639333%26pid%3D100033%26prg%3D20131017132637%26rk%3D1%26rkt%3D4%26sd%3D111349414533