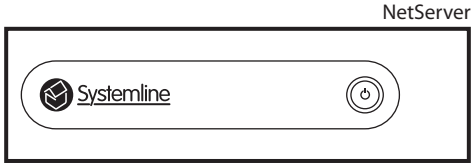
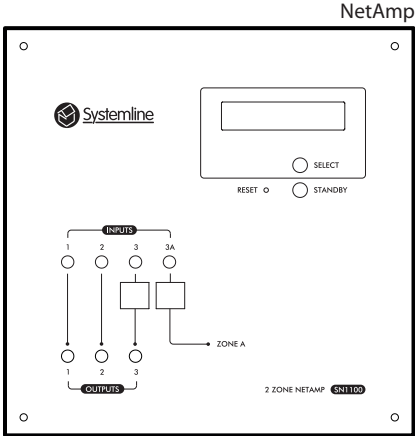


Quick start instructions



S7 NetAmp, NetServer & Mini NetServer

S7 NetA,mp, 2 zone smart multi-room amplifier, S7 NetServer/ Mini NetServer with S7 NetAmp only

SN1100 / SN2030 / SN2100 /SN2200 & SN2010

Important safety instructions

1. Read these instructions.
2. Keep these instructions.
3. Heed all warnings.
4. Follow all instructions.
5. Do not use this apparatus near water.
6. Clean only with dry cloth.
7. Do not block any ventilation openings. Install in accordance with the manufacturer's instructions.
8. Do not install near any heat sources such as radiators, heat registers, stoves, or other apparatus (including amplifiers) that produce heat.
9. Do not defeat the safety purpose of the polarised or grounding-type plug. A polarised plug has two blades with one wider than the other. A grounding type plug has two blades and a third grounding prong. The wide blade or the third prong are provided for your safety. If the provided plug does not fit into your outlet, consult an electrician for replacement of the obsolete outlet.
10. Protect the power cord from being walked on or pinched particularly at plugs, convenience receptacles, and the point where they exit from the apparatus.
11. Only use attachments/accessories specified by the manufacturer
12. Use only with the cart, stand, tripod, bracket or table specified by the manufacturer, or sold with the apparatus. When a cart is used, use caution when moving the cart/apparatus combination to avoid injury from tip-over.
13. Unplug this apparatus during lightning storms or when unused for long periods of time.
14. Refer all servicing to qualified service personnel. Servicing is required when the apparatus has been damaged in any way, such as power-supply cord or plug is damaged, liquid has been spilled or objects have fallen into the apparatus, the apparatus has been exposed to rain or moisture, does not operate normally or has been dropped.

WARNINGS

To reduce the risk of fire or electric shock, do not expose this apparatus to rain or moisture.

This apparatus shall not be exposed to dripping or splashing and no objects filled with liquids, such as vases, shall be placed on the apparatus.

Apparatus with CLASS1 construction shall be connected to a MAINS socket outlet with a protective earthing connection.

Instructions de sécurité importantes

1. Veuillez lire ces instructions.
2. Veuillez conserver ces instructions.
3. Veuillez prendre connaissance de tous les avertissements.
4. Veuillez suivre toutes les instructions.
5. N'utilisez pas cet appareil a proximite de l'eau.
6. Nettoyez uniquement avec un chiffon sec.
7. N'obstruez pas les grilles de ventilation. Suivez attentivement les instructions du fabricant lors de l'installation.
8. N'installez pas cet appareil a proximite d'une source de chaleur telle que des radiateurs, des bouches d'air chaud, des fours, ou tout autre appareil (y compris des amplificateurs) produisant de la chaleur.
9. Ne supprimez pas la securite apportee par la prise polarisee ou de type B. Une prise polarisee possede deux broches, dont une plus large que l'autre. Une prise de type B possede deux broches et une fiche terre. La broche la plus large ou la fiche terre sont la pour votre securite. Si la prise fournie ne convient pas, adressez-vous a un electricien pour une mise aux normes de votre installation electrique.
10. Evitez de marcher sur le cordon d'alimentation ou de le pincer, en particulier, a l'extremite du cordon, de la prise et a la sortie de l'appareil.
11. Utilisez uniquement des accessoires specifiques par le fabricant.
12. Utilisez uniquement les chariots, pieds, tripodes, supports ou les tables recommandes par le fabricant ou vendus avec l'appareil. Si vous utilisez un chariot, faites tres attention lors du transport de l'appareil et evitez de le faire tomber pour ne pas vous blesser.
13. Debranchez cet appareil en cas d'orage ou lorsque vous ne vous en servez pas pendant une periode prolongee.
14. Pour toute reparation, adressez-vous a un professionnel. Faites reparer cet appareil pour des dommages de n'importe quelle nature : cordon d'alimentation abime, liquide ou objet introduit dans l'appareil, exposition a la pluie ou a l'humidite, fonctionnement inhabituel, chutes diverses.

AVERTISSEMENT

Afin de diminuer les risques d'incendie ou de choc electrique, conservez cet appareil a l'abri de la pluie et de l'humidite.

Evitez toute eclaboussure et ne posez pas d'objets contenant des liquides, comme des vases, sur cet appareil.

L'appareil de construction de CLASS1 doit être connecté à une prise secteur dotée d'une protection par mise à la terre.

This booklet is a simple quick start guide, for further information such as adding services like BBC iPlayer or Deezer, connecting a Local input or a keypad please refer to the instructions for the NetServer and the NetAmp.

1.0 NetServer/Mini NetServer pack contents

- 1 x NetServer/ Mini NetServer
- 1 x Mounting kit
- 1 x Power supply
- 1 x Bag of mains connectors
- 1 x Quick start instruction manual

2.0 NetAmp pack contents

- 1 x NetAmp
- 2 x Mounting brackets
- 4 x Bracket fixing screws
- 4 x IMO speaker connectors
- 4 x HomeNet cabinet fixing screws
- 1 x Right angled mains cable
- 2 x USB A-B cables (0.5m)
- 1 x Quick start instruction manual

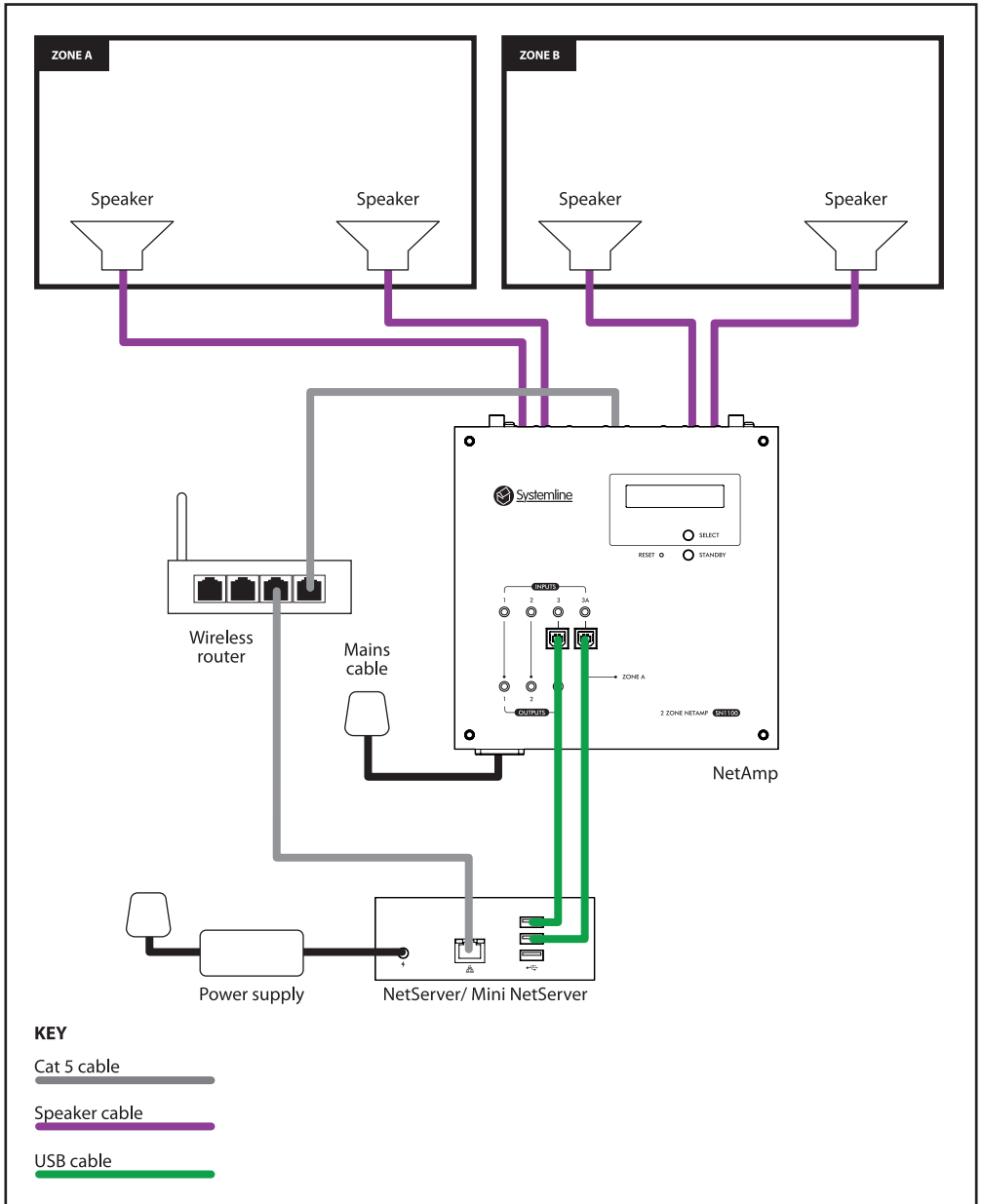
3.0 Introduction

These quick start instructions describe how to configure the S7 Mini NetServer with 2 zones of an S7 NetAmp. Please refer to the detailed instructions available on the Systemline website for other configuration, connectivity and mounting options.

4.0 Connections

1. Use an Ethernet patch cable (not supplied) to plug the Local Area Network connection of the NetServer/Mini NetServer and NetAmp into the router network sockets. The router should have an active DHCP server (automatically assigning IP addresses).
2. Use two USB A-B cables (supplied) insert both into the NetServer or Mini NetServer's rear USB sockets and plug the other end into USB inputs 3 and 3A on the NetAmp.
3. Use the green IMO speaker connections (included), terminate the speaker cables making sure there are no strands or wire touching between the two terminations and plug into the speaker connections on the NetAmp.
4. Plug in the mains cable for the NetAmp and it will automatically switch on.
Please note: It is important that the NetAmp is switched on Before the Server.
5. Plug in the NetServer/ Mini NetServer's power supply and switch on from the front or via the top.

Basic connection diagram showing 2 zones



5.0 Set up server inputs on NetAmp

1. Once booted up you can find the IP address of the NetServer using a FREE App called 'Fing' available from the Apple App store for iOS devices. Alternatively use a Network scanning program on your PC or Android phone such as Advanced IP scanner.
2. Scan the Network that the Server is attached to, you should find the Server labelled as *S7_NETSERVER*.



3. Open a Web Browser on your computer and type the IP address listed e.g 192.168.6.100 into the top bar followed by the return key.



Home



SqueezeBox
Server



CD Ripper



FLAC Ripper

Main Menu

Welcome to your Systemline.

If you need help please check out the documentation section and the user forum on www.systemline.co.uk

System name: netmusic

Systemline SW Version: 2.3

Linux OS Version: Fedora release 20 (Heisenbug)

eth0 IP: 192.168.6.100

eth0 MAC: 00:01:80:81:8F:3F

Filesystem	Size	Used	Available	Use%
/storage	262G	26G	224G	11%

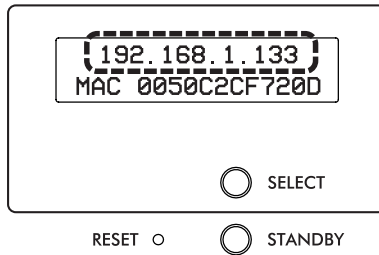
4. Press the *Configure Player* button.

Each NetAmp USB socket has a unique serial number; they should be listed down the left side of the table and then an assigned MAC address next to it.



Name	MAC address	Active	
000462	00:04:20:AD:51:7B	1	<input type="button" value="Edit"/>
000461	00:04:20:8F:79:23	1	<input type="button" value="Edit"/>

5. Press the *Select* button on the front of the NetAmp to display its' IP address.



6. Open up another page on the web browser and enter the IP address of the NetAmp.
e.g. enter: 192.168.6.101 then press return



NetAmp Configuration

Overview	NetAmp Information
Factory Setup	
Network Setup	Web Page Version: 04.08.14.01
Source Setup	Bootloader Version: v04.08.14.01
Zone 1 Setup	Firmware Version: v04.08.14.01
Zone 2 Setup	Build Date: Aug 05 2014 14:10:21
	Serial Number: 000000038

Copyright © 2014 Armour Home Electronics

7. Press *Source Setup* and you will be prompted to enter a user name and password. By default these are set as follows:

User Name: admin

Password: password

This process must be completed for the App to operate and show the correct zones.

8. You must obtain the MAC address associated with source 3 and 3A from the server. This ensures that the server and S7 App always link together and the correct audio stream is delivered to the correct zone.
9. Type in the IP address of the NetServer discovered in section 5.1 in the NetServer IP box at the bottom of the page then press Get MAC Addresses. The page will refresh and you will see the MAC addresses populate under Source 3 and Source 3A. If the Mac addresses do not populate then the IP address of the NetServer or Mini NetServer has not been entered incorrectly.

Source 3: Source Enabled?
Source 3 name:
Source MAC:
 High Volume Mode?
USB 3 Serial: 000234

Source 3A: Source Enabled?
Source 3A name:
Source MAC:
 High Volume Mode?
USB 3A Serial: 000233

NetServer IP:

You will find that the MAC address that gets populated, corresponds to the MAC address listed on the NetServer or Mini NetServer Configure Player page, but using lower case letters, this is correct so please do not edit it!

This ensures that the server always uses the same player MAC address ID each time it is powered up or reconnected. It also ensures the App associates the server player ID with the NetAmp zone name.

10. You must press the Save button to save the settings.
11. If you have any other sources connected to the system such as an airport express or turntable, these can be named and added into Source 1 or Source 2 on this page.

6.0 Name the zones

1. Press *Zone 1 Setup* on the NetAmp web page.

Zone 1 name: Enabled?

Source Select: - +

Turn on Volume: - +

Volume: - + Mute

ToV Mode: v

LIM Input Mode: Auto
 Dig
 Ana

Alarm Volume: - +

Max volume: - +

Treble: - +

Bass: - +

Balance: - +

of Keypads: - + Kp1

Local Input: Enabled?

Local Input Name:

High Volume Mode: Enabled?

Auto-Switch Local: Enabled?

Optical Switch Mode: v

2. Rename the zone by entering text and press *Save*.
3. Repeat the process for Zone 2.

7.0 Rip a CD

1. Plug a USB CD drive into a USB socket on the NetServer or Mini NetServer.
2. Insert a CD. Ripping will automatically start. An internet connection is needed for the server to find album, artist, track and cover art information.
3. When the CD has finished ripping, it will eject.
4. Repeat steps 7.2 and 7.3 for a number of CDs.

Note: If you know how to transfer electronically stored music from one device to another, you may also use this method to load content. In this case, the files should be placed in the folder \files\music\flac

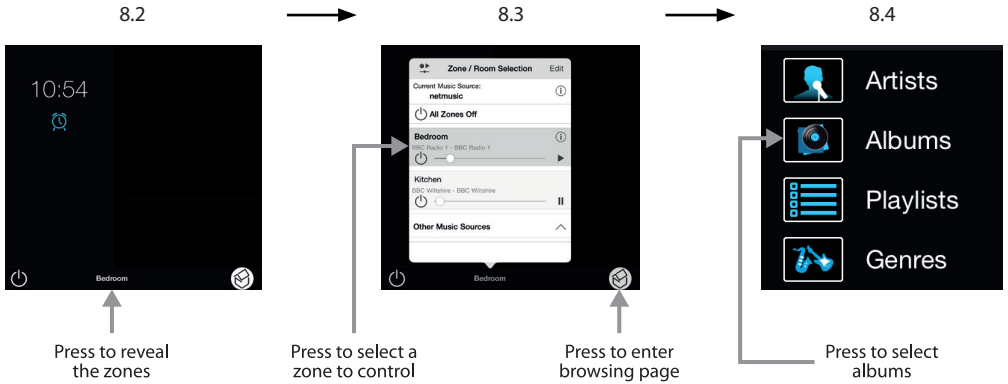
5. Press *System Configuration* on the NetServer web page.
6. Press *Reboot* and then *OK* when prompted. This will re-boot the server and initiate a music database rescan. The Server will take 2 or 3 minutes to re-start.

System Configuration

Time Zone:

8.0 Use the App

1. Download the Systemline 7 App from the App Store and open it.
2. Select a zone by pressing on the zone name.
3. Press the house button to open the full browsing page.
4. Select *Albums* from the list and then select an album to play.
5. Adjust the volume from the *now playing* screen.



9.0 More settings and features

More features, settings and plugins are available for the Server. For more detailed instructions see the detailed setup available on the Systemline7 website:

www.systemline.co.uk



armourHOME

Stortford Hall Industrial Park
Dunmow Road
Bishops Stortford
Hertfordshire
CM23 5GZ
United Kingdom

www.armourhome.co.uk

©2014 Armour Home Electronics, All rights reserved.
Our policy is one of continuous product improvement. We reserve
the right to change the design and specifications without notice.
All information is given in good faith. The manufacturer accepts
no responsibility for errors, omissions or incorrect assumptions.