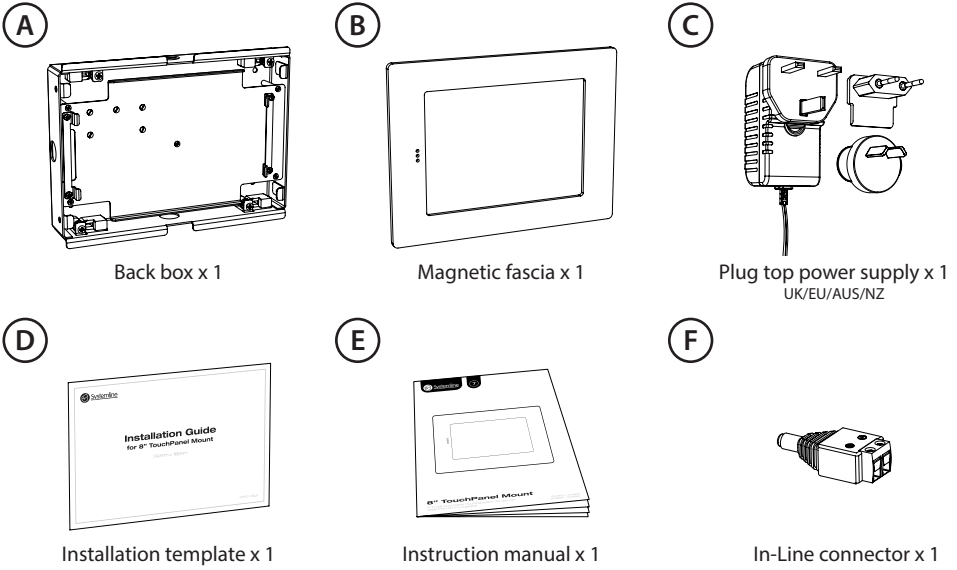


## 8" TouchPanel Mount

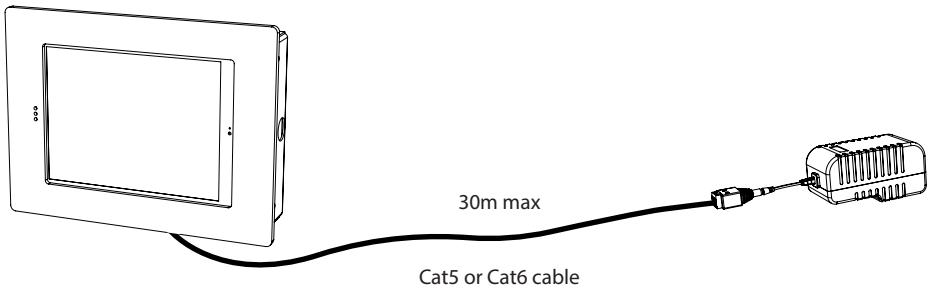
8" in-wall touch panel mounting system for use with  
Apple iPad mini (not supplied) Compatible with iPad Mini 1, 2, & 3

SN3800 / SN3810  
SN3830 / SN3890

## Pack contents

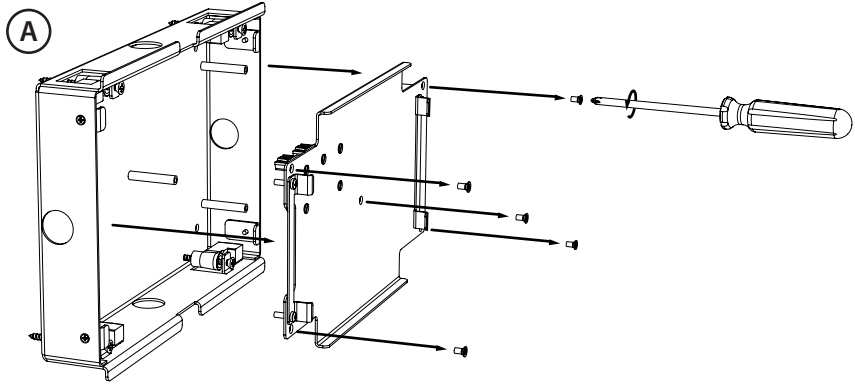


## Cable requirement

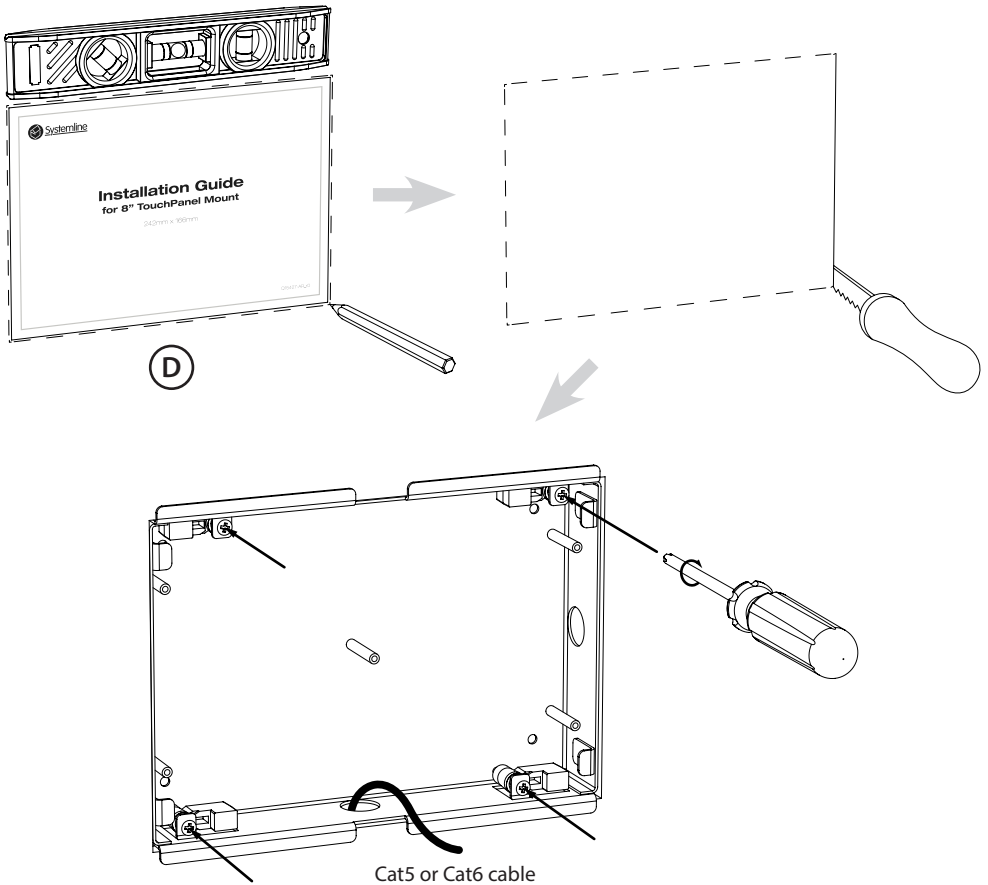


# Installation instructions

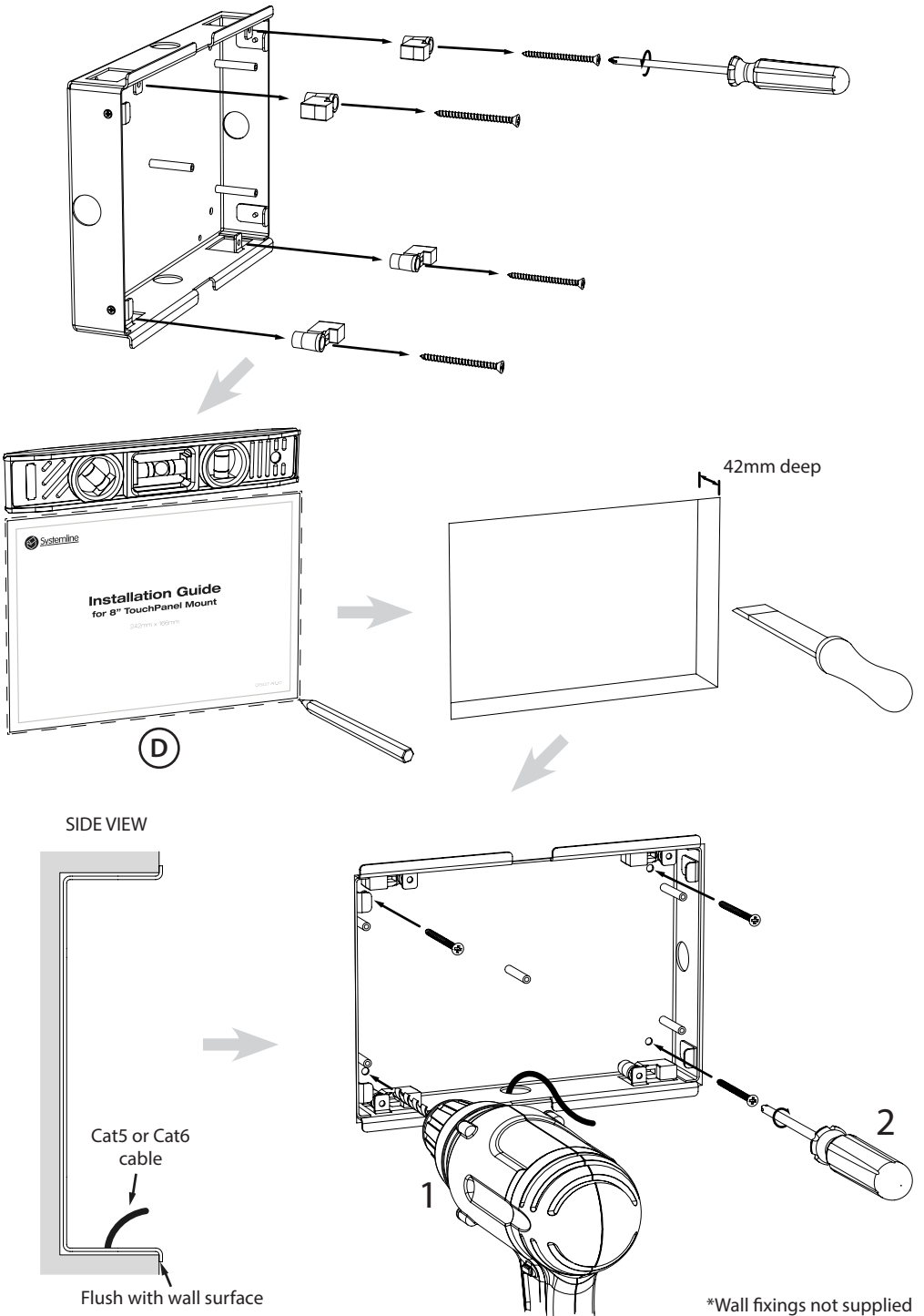
## 1. Remove the iPad mini mounting frame



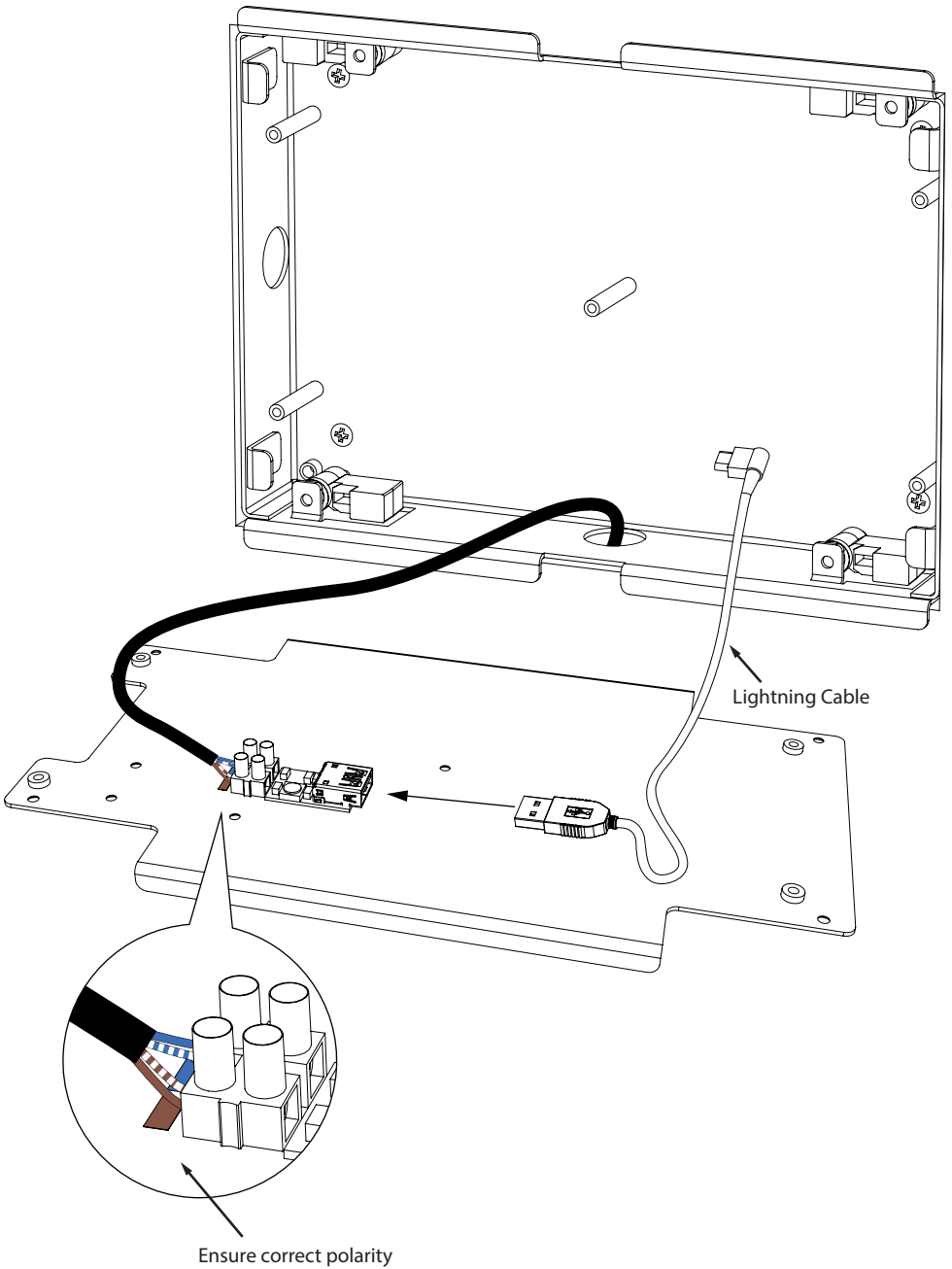
## 2.1. Mount in stud wall



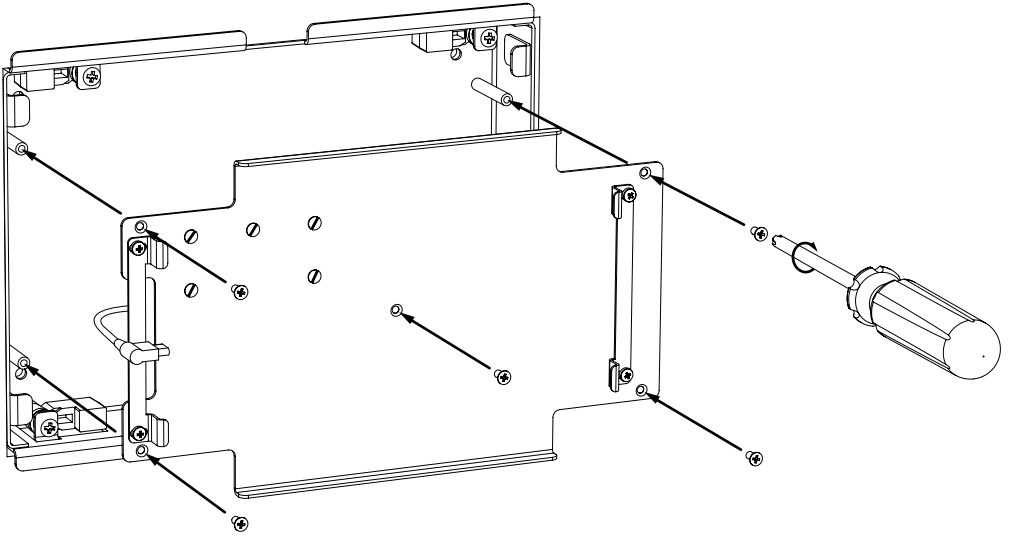
## 2.2. Mount in solid wall\*



**3. Connect Cat 5/6 cable to regulator board and lightning cable to USB connector**



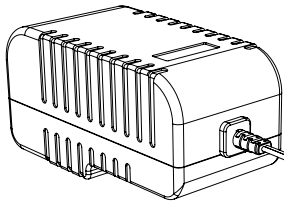
#### 4. Replace iPad mini mounting frame



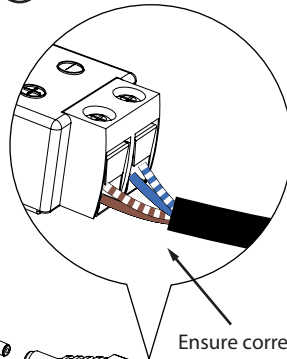
---

#### 5. Connect Cat 5/6 cable & Plug in power supply

(C)

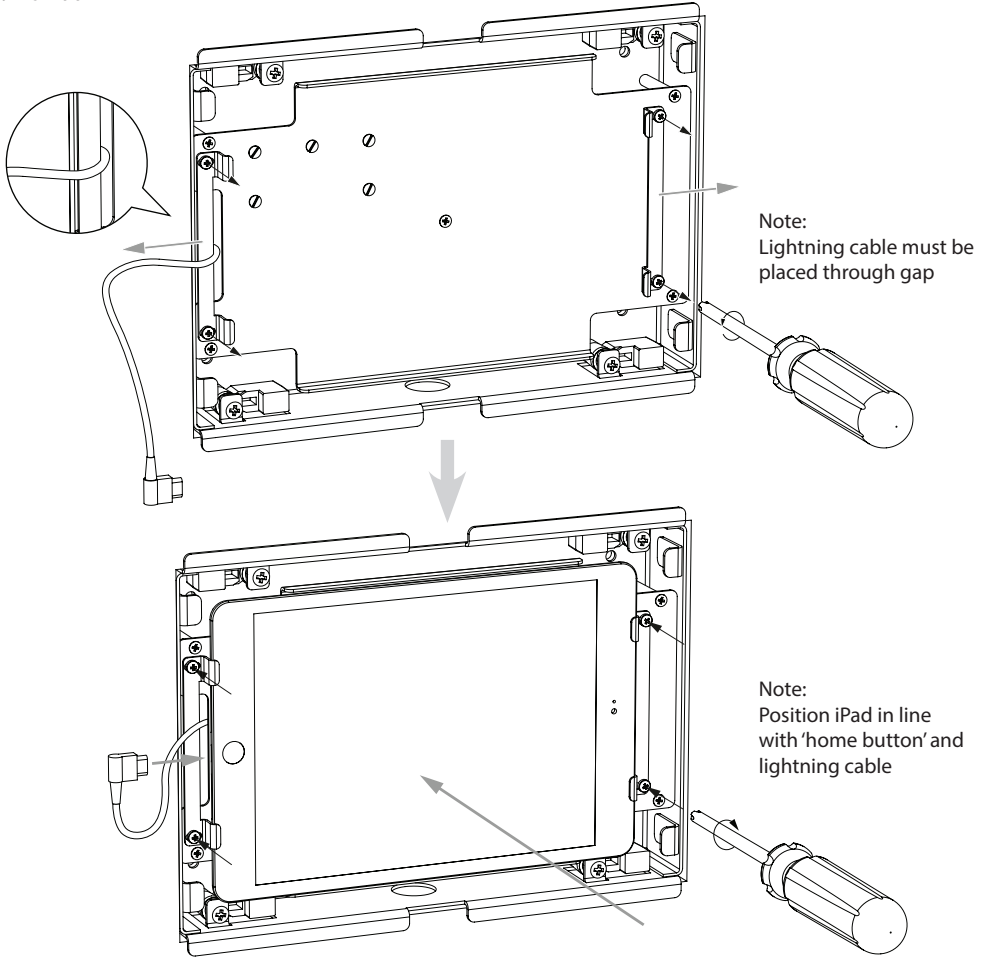


(F)

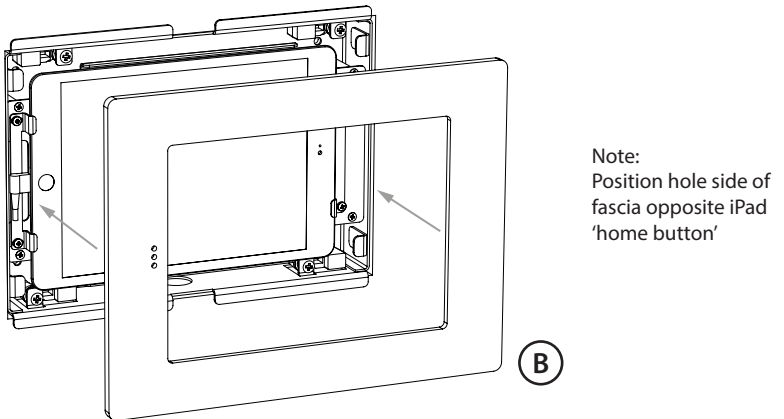


Ensure correct polarity

## 6. Fit iPad mini



## 7. Fit fascia





**armourHOME**

Stortford Hall Industrial Park  
Dunmow Road  
Bishops Stortford  
Hertfordshire  
CM23 5GZ  
United Kingdom

[www.armourhome.co.uk](http://www.armourhome.co.uk)

©2014 Armour Home Electronics, All rights reserved.  
Our policy is one of continuous product improvement. We reserve  
the right to change the design and specifications without notice.  
All information is given in good faith. The manufacturer accepts  
no responsibility for errors, omissions or incorrect assumptions.

Q15427-IS\_r2