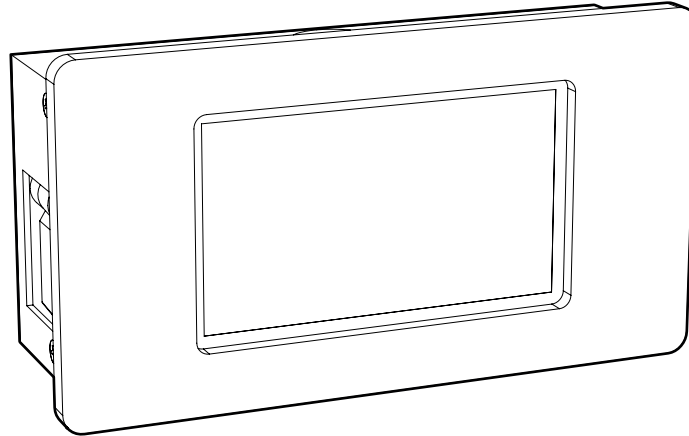


Specification Data Sheet

Rev 1.0 February 2015

Armour Home Electronics R&D Department



The S7 4 inch touch panel mounts allow easy installation of an iPod Touch into the wall to produce a smart in wall touch screen controller for Systemline 7. The product comes with a custom back box which can be mounted in either stud or solid wall. Different coloured magnetic fascias are available:

SN3400: White

SN3410: Black

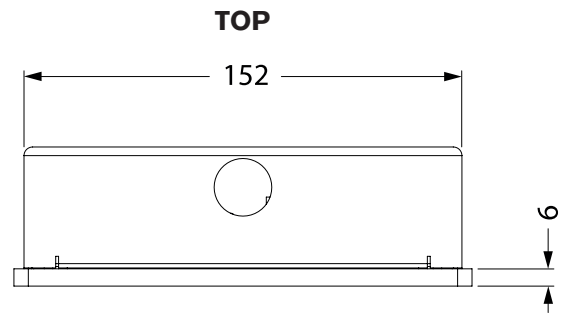
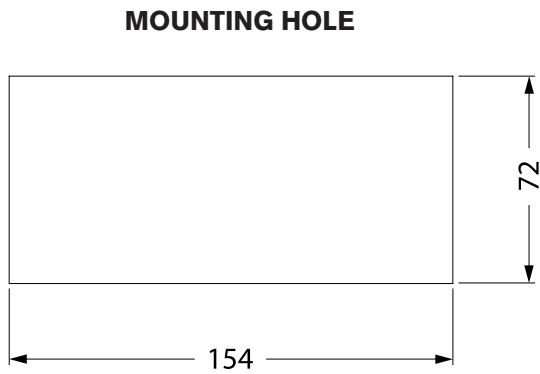
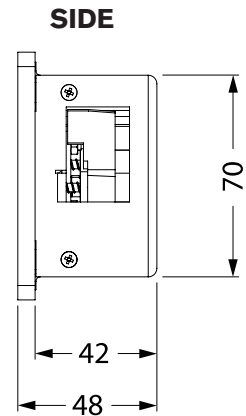
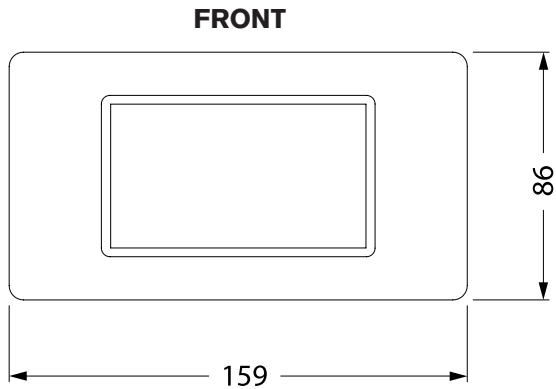
SN3430: Primed for paint finish

SN3490: Custom finish

The product also includes connectivity for USB charging over Cat5/6 with a right angled lightning connector.

Connectivity		
iPod	Apple certified Lightning connector	Right angled
USB	Cat5 punch down	30m max length

General		
Fascia Dimensions	Height: 86mm, Width: 159mm	
Net weight	0.375kg	



*All measurements in mm