

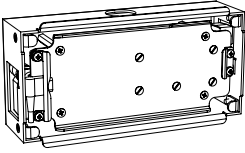
4" TouchPanel Mount

4" in-wall touch panel mounting system for use with
Apple iPod Touch 5th Generation (not supplied)

SN3400 / SN3410
SN3430 / SN3490

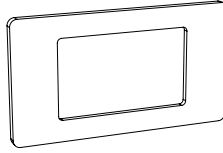
Pack contents

A



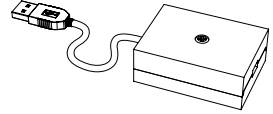
Back box x 1

B



Magnetic fascia x 1

C



USB connection box x 1

D



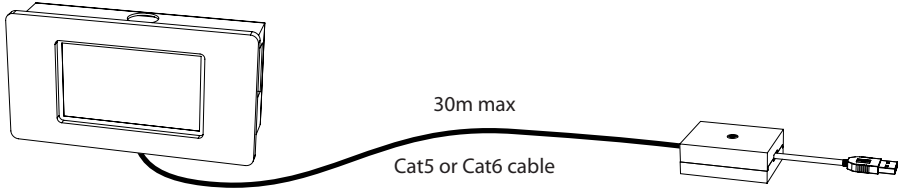
Installation template x 1

E



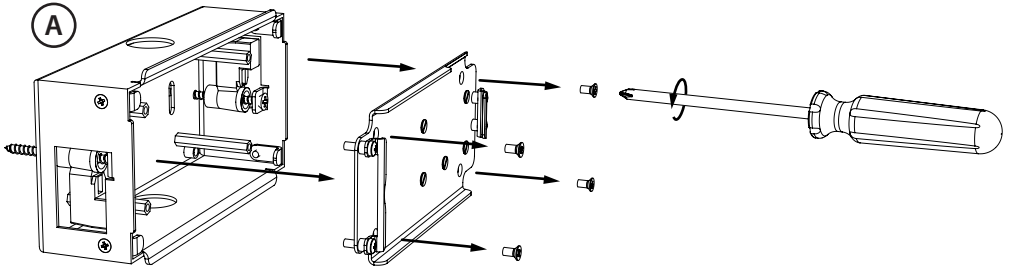
Instruction manual x 1

Cable requirement

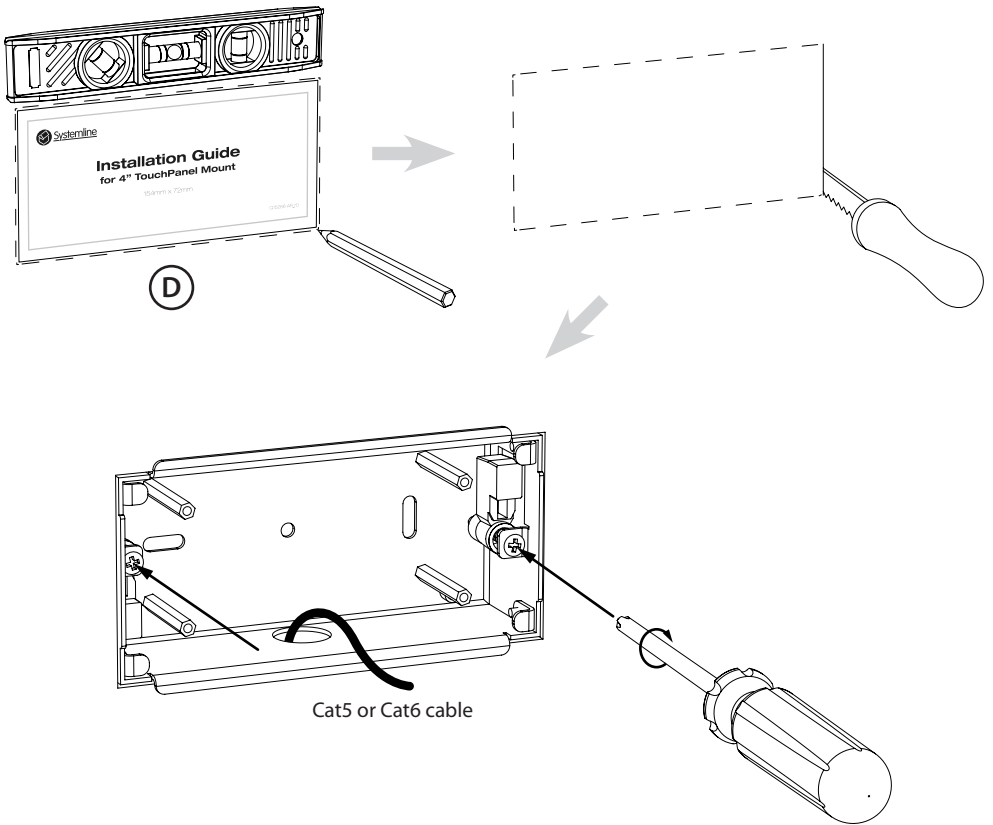


Installation instructions

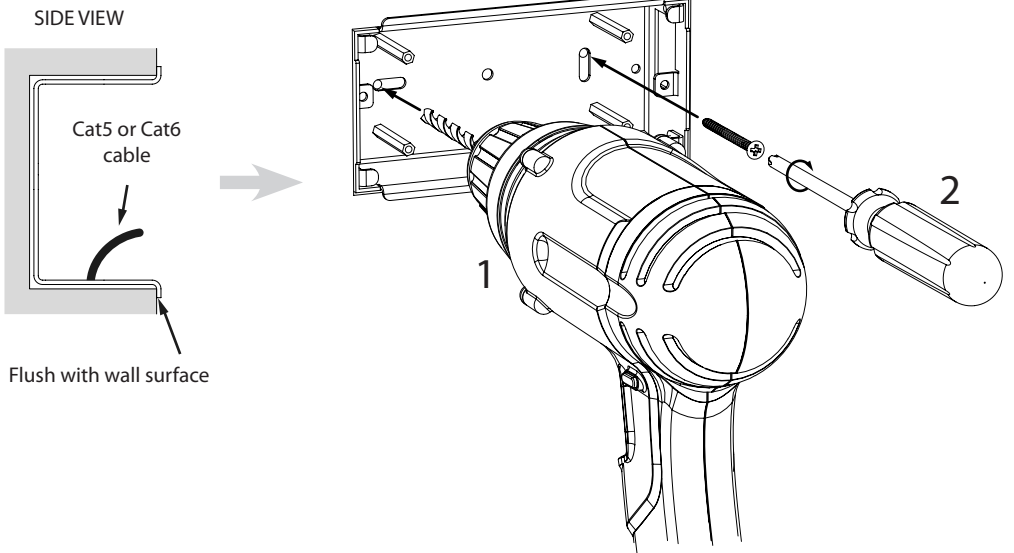
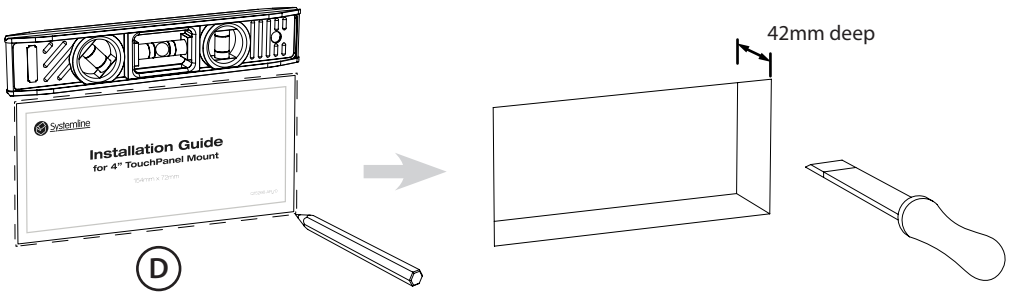
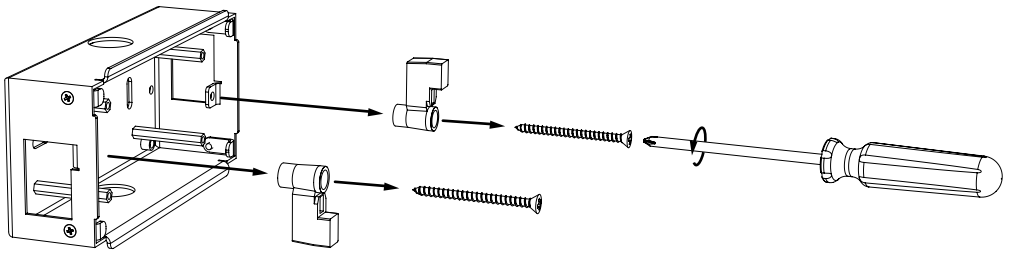
1. Remove the iPod mounting frame



2.1. Mount in stud wall

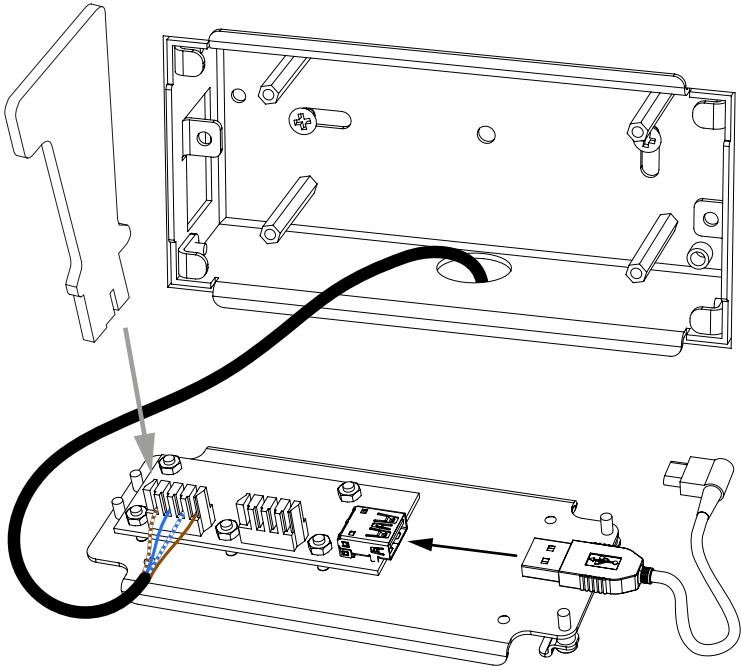


2.2. Mount in solid wall*

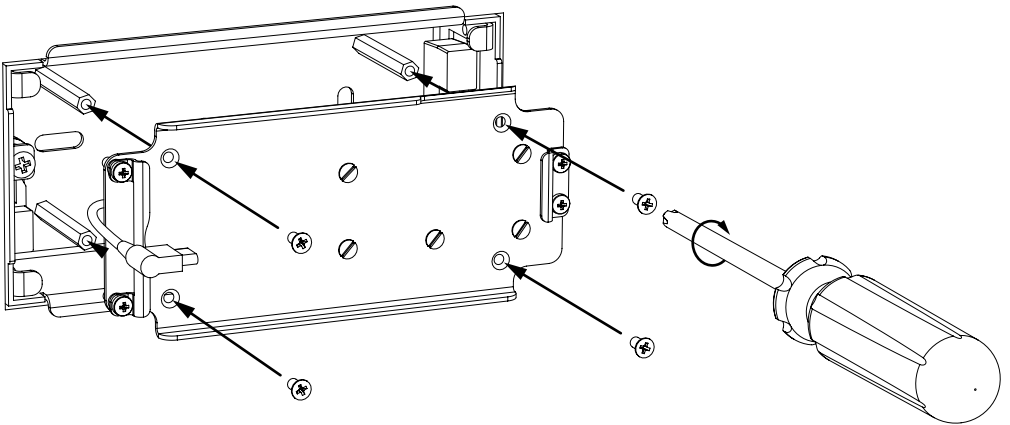


*Wall fixings not supplied

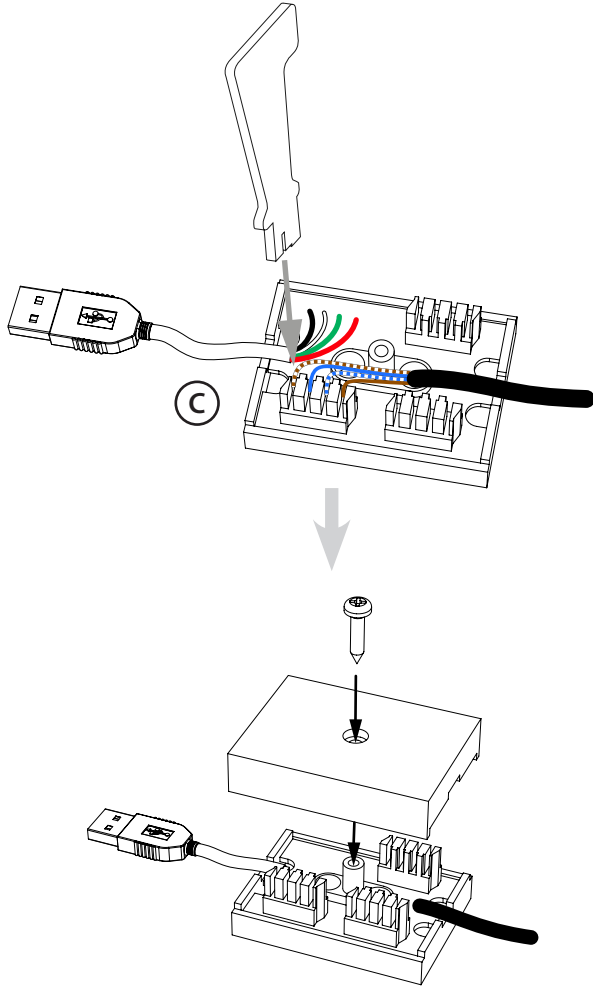
3. Punch down Cat5



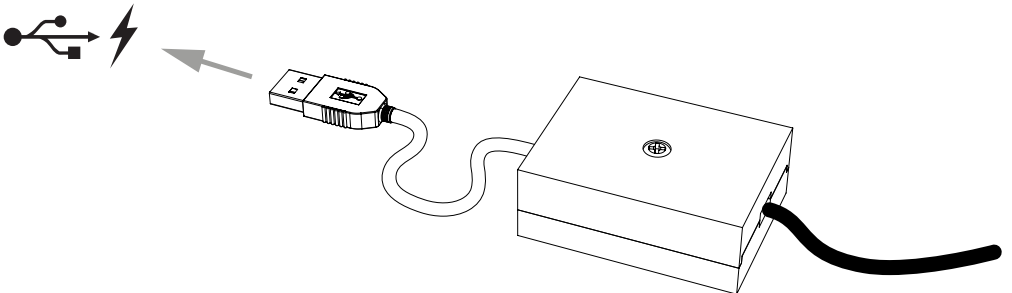
4. Replace iPod mounting frame



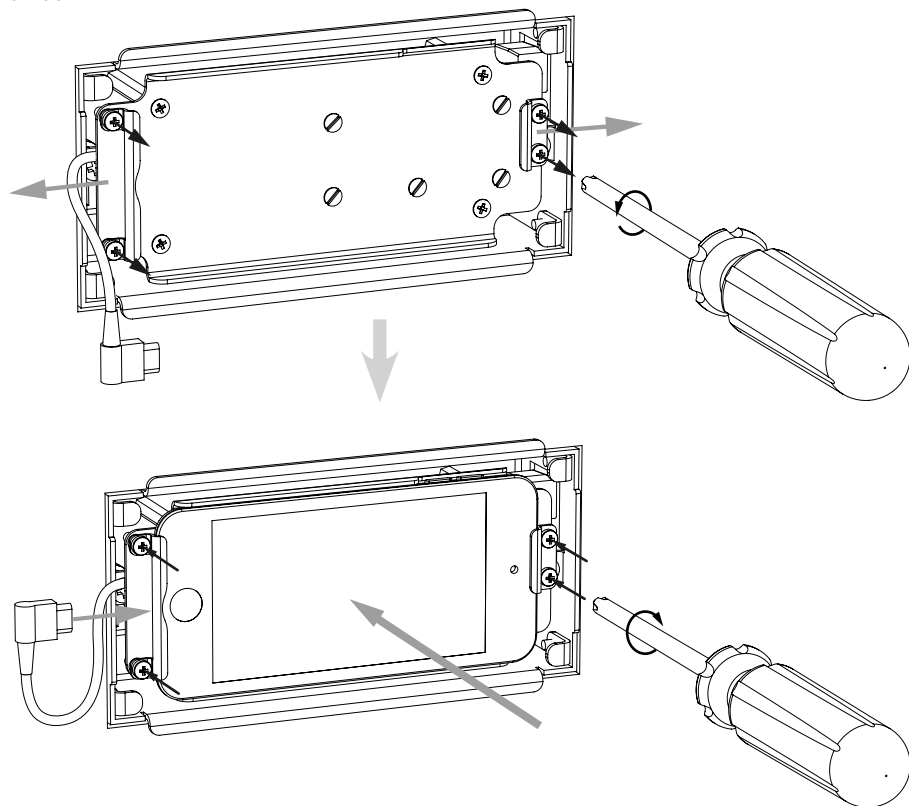
5. Punch down Cat5 USB charging end



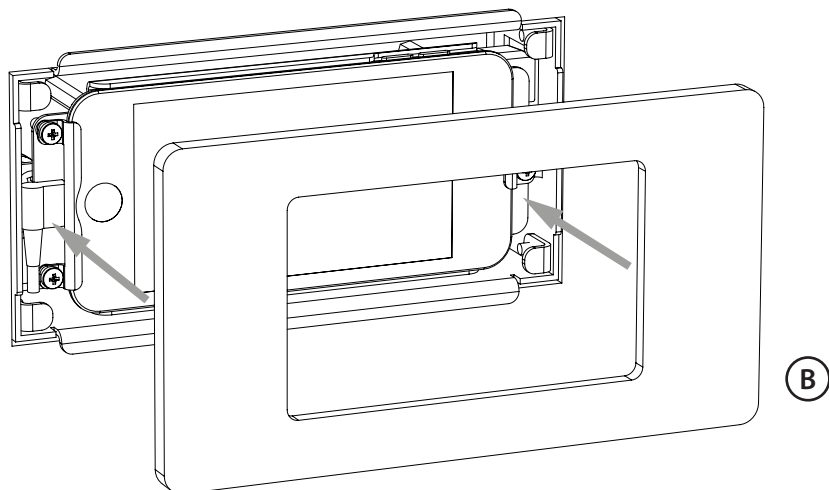
6. Plug in charger



7. Fit iPod



8. Fit fascia





armourHOME

Stortford Hall Industrial Park
Dunmow Road
Bishops Stortford
Hertfordshire
CM23 5GZ
United Kingdom

www.armourhome.co.uk

©2014 Armour Home Electronics, All rights reserved.
Our policy is one of continuous product improvement. We reserve
the right to change the design and specifications without notice.
All information is given in good faith. The manufacturer accepts
no responsibility for errors, omissions or incorrect assumptions.

Q15266-IS_r1