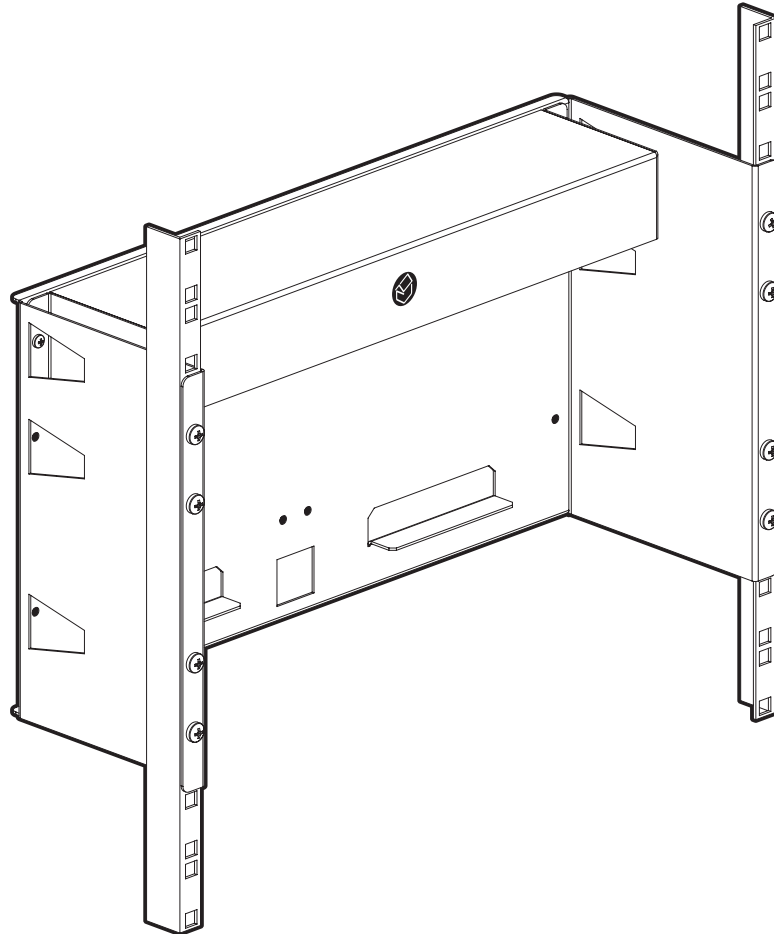


Specification Data Sheet

Rev 1.0

Armour Home Electronics R&D Department

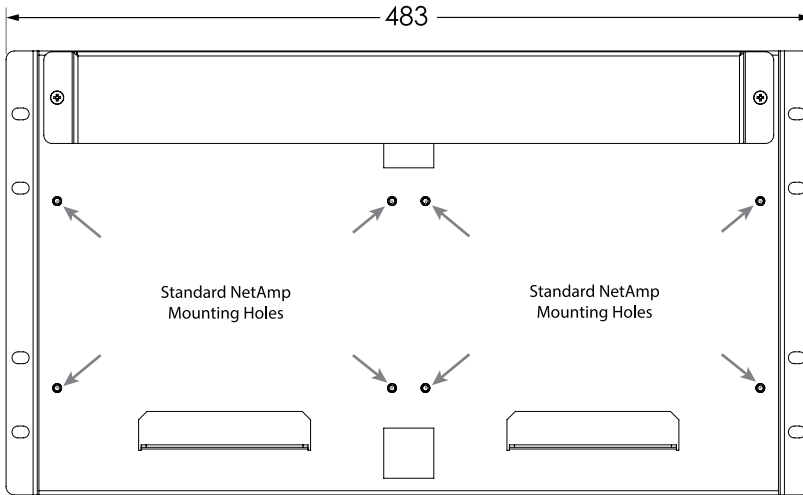


The S7 NetAmp 19" Rack Adapter allows installation of two NetAmps onto a 6U adapter. The NetAmp wall brackets are used to mount the NetAmps. The adapter also includes a cable tidy box which can be mounted when all the connections have been made. Cable entry points have been made at the top for the main connections and at the bottom for the power cable. The adapter is only 150mm deep allowing two to be mounted back to back on the rack if accessible, 6U then accommodating 8 zones.

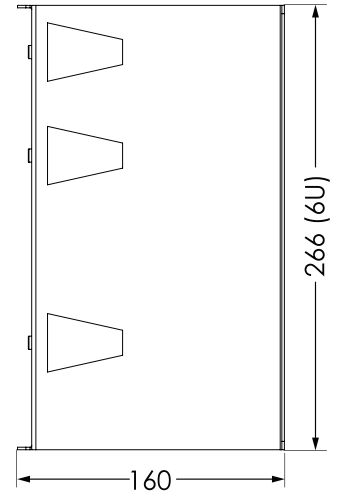
Accomodation		
S7 NetAmp	2	

General		
Dimensions	Height 266mm(6U) , Width: 483mm, Depth: 160mm	
Net Weight	3.5 kg	

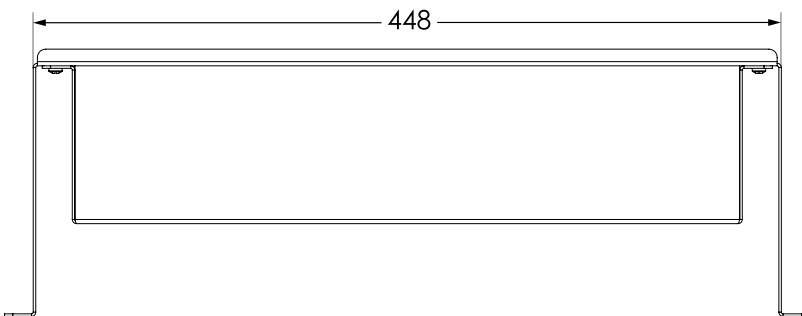
**FRONT**



**SIDE**



**TOP**



\*All measurements in mm